

Product Datasheet

14-port Full Gigabit Managed Ethernet Fiber Switch

(ONV33148FM)



OVERVIEW

The ONV33148FM is a full gigabit L2+ managed Ethernet fiber switch independently developed by ONV. It has 10*10/100/1000Base-T RJ45 ports and 4*100/1000Base-X SFP fiber slot ports. Each port can support wire-speed forwarding.

The ONV33148FM has L2+ full network management function, supports IPV4/IPV6 management, static route full line rate forwarding, complete security protection mechanism, complete ACL/QoS policy and rich VLAN functions, and is easy to manage and maintain. Supports multiple network redundancy protocols STP/RSTP/MSTP (<50ms) and (ITU-T G.8032) ERPS(<20ms) to improve link backup and network reliability. When one-way network fails, communication can be quickly restored to ensure important Uninterrupted communication for applications. According to the actual application requirements, you can configure multiple application services such as port traffic control, VLAN division, and SNMP through the Web network management mode. It satisfies high-density network application environment and is suitable for medium, large-scale scenes such as hotel, campus, park, shopping mall, scenic spot, hospital, bank to form an economical, efficient and reliable communication network.

FEATURE

■ Full Gigabit access, SFP fiber port uplink

- ◇ Support Gigabit Ethernet port and Gigabit SFP fiber slot port combination, which enables users to flexibly build networking to meet the needs of various scenarios.
- ◇ Support non-blocking wire-speed forwarding.
- ◇ Support full-duplex based on IEEE802.3x and half-duplex based on backpressure.

■ Strong business processing capability

- ◇ IEEE802.1Q VLAN, flexible VLAN division, Voice VLAN and QinQ configuration.
- ◇ QoS, Priority mode based on 802.1P, Port & DSCP, queue scheduling algorithm including Equ, SP, WRR & SP+WRR.
- ◇ ALC, filter data packet through configuring matching rules, processing operation & time permission, and provide flexible and safe access control.
- ◇ IGMP V1/V2 and IGMP Snooping.
- ◇ ERPS/STP/RSTP/MSTP.
- ◇ Static and dynamic aggregation.

■ Security

- ◇ 802.1X authentication.
- ◇ Port isolation, Storm control.
- ◇ IP-MAC-VLAN-Port binding.

■ Stable and reliable

- ◇ Low power consumption, galvanized steel casing, The Fan active cooling.
- ◇ Self-developed power supply, high redundancy design, providing a long term and stable PoE power output.
- ◇ CCC, CE, FCC, RoHS.
- ◇ The user-friendly panel can show the device status through the LED indicator of PWR, Link.

■ Easy operation and maintenance management

- ◇ Web management, CLI command line (Console, Telnet), SNMP (V1/V2/V3).
- ◇ HTTPS, SSLV3, and SSHV1/V2.
- ◇ RMON, system log, LLDP, and port traffic statistics.
- ◇ CPU monitoring, memory monitoring, Ping test, and cable diagnose.

TECHNICAL SPECIFICATION

Model	ONV33128FM	ONV33148FM
Interface Characteristics		
Fixed Port	10*10/100/1000Base-T RJ45 ports (Data)	10*10/100/1000Base-T RJ45 ports (Data)
	2*100/1000Base-X SFP ports (Data)	4*100/1000Base-X SFP ports (Data)
	1*Console port (115200,N,8,1)	1*Console port (115200,N,8,1)
Ethernet Port	Port 1-10 support 10/100/1000Base-T, auto-sensing, Full/half duplex MDI/MDI-X self-adaption	
Twisted Pair Transmission	10BASE-T: Cat3,4,5 UTP(≤100 meter) 100BASE-TX: Cat5 or later UTP(≤100 meter) 1000BASE-T: Cat5e or later UTP(≤100 meter)	
SFP Slot Port	Gigabit SFP optical fiber interface, default not matching optical modules (optional order single-mode / multi-mode, single fiber / dual fiber optical module. LC)	
SFP Port Expansion	Turbo overclocking 2.5G optical module and ring	
Optical Cable/ Distance	Multi-mode: 850nm /0 ~ 500M, single-mode: 1310nm 0 ~ 40KM, 1550nm/0 ~ 120KM.	
Chip Parameter		
Network	L2+	

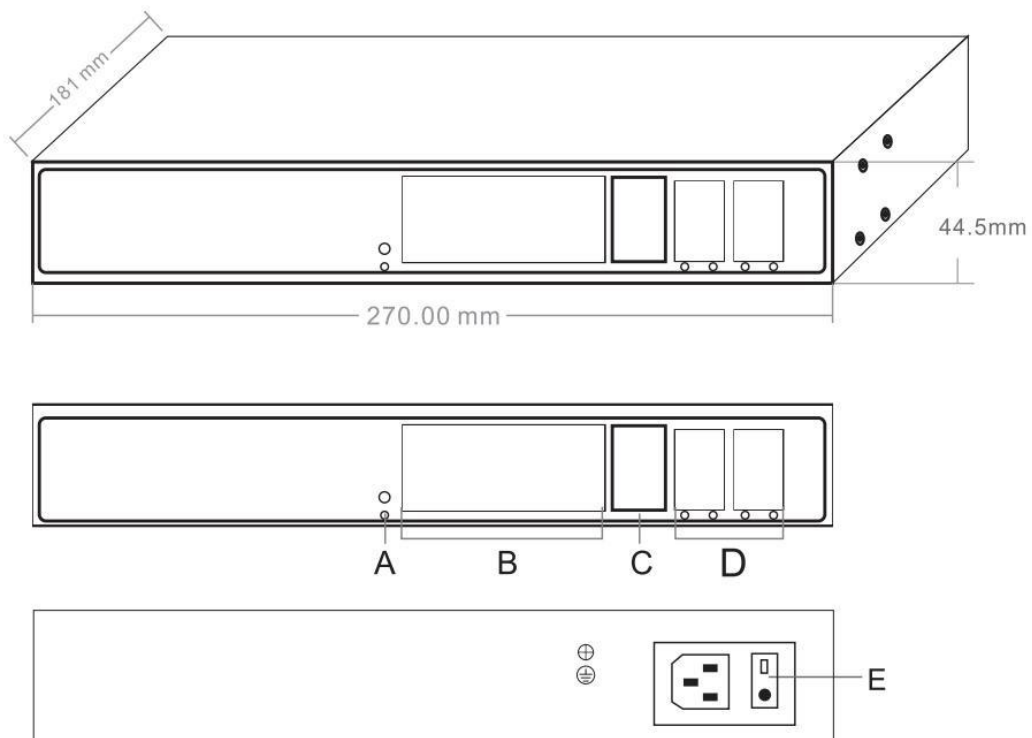
Management Type		
Network Protocol	IEEE802.3 10BASE-T, IEEE802.3i 10Base-T, IEEE802.3u 100Base-TX IEEE802.3ab 1000Base-T, IEEE802.3z 1000Base-X, IEEE802.3x	
Forwarding Mode	Store and Forward(Full Wire Speed)	
Switching Capacity	192Gbps	256Gbps
Forwarding Rate@64byte	17.86Mpps	20.83Mpps
MAC	8K	
Buffer Memory	4M	
Jumbo Frame	9.6K	
CPU	416M	
DRAM	1G	
FLASH	128M	
LED Indicator	Power: PWR (yellow), System: SYS (green), Network: Link (yellow), Fiber port: L/A (green)	
Reset Switch	Yes, support one key to restore factory settings	
Power Supply		
Total PWR / Input Voltage	30W/AC100-240V)	
Power Consumption	Standby<8W, Full Load<12W	Standby<8W, Full Load<18W
Power Supply	Built-in power supply, AC 100~240V 50-60Hz 0.65A	
Physical Parameter		
Operation TEMP / Humidity	-20~+55°C, 5%~90% RH Non condensing	
Storage TEMP / Humidity	-40~+75°C, 5%~95% RH Non condensing	
Dimension (L*W*H)	270*181*44.5mm	
Net /Gross Weight	<1.2kg / <1.7kg	

Installation	Desktop, wall mounted, 19 inch 1U cabinet installation	
Certification & Warranty		
Lightning protection / protection level	Lightning protection: 4KV 8/20us; Protection level: IP30	
Certification	CCC, CE mark, commercial, CE/LVD EN60950, FCC Part 15 Class B RoHS	
Warranty	3 years, lifelong maintenance.	
Network Management Features		
Interface	<p>IEEE802.3X (Full-duplex)</p> <p>Port temperature protection setting</p> <p>Port green Ethernet Energy-saving setting</p> <p>Broadcast storm control based on port speed</p> <p>The speed limit of the message flow in the access port.</p> <p>The minimum particle size is 64Kbps.</p>	
Layer 3 Features	<p>L2+ network management ,IPV4/IPV6 management</p> <p>L3 soft routing forwarding,</p> <p>Static route, Default route @ 128 pcs, APR @ 1024 pcs</p>	
VLAN	<p>VLAN based on MAC</p> <p>VLAN based on the protocol</p> <p>Voice VLAN, QinQ configuration</p> <p>4K VLAN based on port, IEEE802.1q</p> <p>Port configuration of Access, Trunk, Hybrid</p>	
Port Aggregation	<p>LACP, Static aggregation</p> <p>Max 6 aggregation groups and 8 ports per group.</p>	<p>LACP, Static aggregation</p> <p>Max 7 aggregation groups and 8 ports per group.</p>
Spanning Tree	STP (IEEE802.1d), RSTP (IEEE802.1w), MSTP (IEEE802.1s)	
Industrial Ring	G.8032 (ERPS), Recovery time less than 20ms	
Network Protocol	250 Ring at most, Max 250 devices per ring.	
Multicast	MLD Snooping v1/v2, Multicast VLAN	

	IGMP Snooping v1/v2, Max 1024 multicast groups, Fast log out
Port Mirroring	Bidirectional data mirroring based on port
QoS	Flow-based Rate Limiting Flow-based Packet Filtering 8*Output queues of each port 802.1p/DSCP priority mapping Diff-Serv QoS, Priority Mark/Remark Queue Scheduling Algorithm (SP, WRR, SP+WRR)
ACL	Port-based Issuing ACL, ACL based on port and VLAN L2 to L4 packet filtering, matching first 80 bytes message. Provide ACL based on MAC, Destination MAC address, IP Source, Destination IP, IP Protocol Type, TCP/UDP Port, TCP/UDP Port Range, and VLAN, etc.
Security	IP-MAC-VLAN-Port binding ARP inspection, Anti-DoS attack AAA & RADIUS, MAC learning limit Mac black holes, IP source protection IEEE802.1X & MAC address authentication Broadcast storm control, Backup for host datum SSH 2.0, SSL, Port isolation, ARP message speed limit User hierarchical management and password protection
DHCP	DHCP Client, DHCP Snooping, DHCP Server, DHCP Relay
Management	One-key recovery Cable Diagnose, LLDP Web Management (HTTPS) NTP, System work log, Ping Test CPU instant utilization status view Console/AUX Modem/Telnet/SSH2.0 CLI Download & Management on FTP, TFTP, Xmodem, SFTP, SNMP V1/V2C/V3

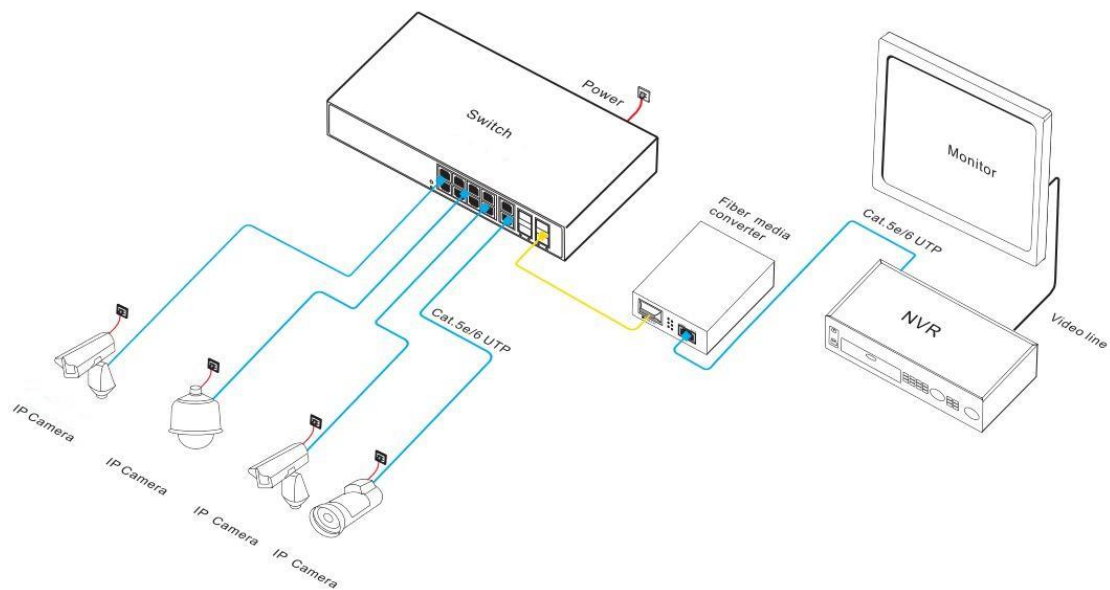
	ONV NMS - smart network management system platform(LLDP+SNMP)
System	<p>Category 5 Ethernet network cable</p> <p>Web browser: Mozilla Firefox 2.5 or higher, Google browser chrome V42 or higher, Microsoft Internet Explorer10 or later;</p> <p>TCP/IP, network adapter, and network operating system (such as Microsoft Windows, Linux, or Mac OS X) installed on each computer in a network</p>

DIMENSION



- A. Working indicator
- B. 8*10/100/1000M RJ45 ports
- C. 2*10/100/1000M uplink R45 ports
- D. 4* 100/1000M SFP uplink ports
- E. Power input port AC100-240V,50/60Hz

APPLICATION



ORDERING INFORMATION

Model	Description
ONV33128FM	L2+ managed Ethernet fiber switch with 10* 10/100/1000M RJ45 ports and 2*100/1000M SFP fiber slot ports. Built-in 30W power supply. Support 1U/19 inch rack installation.
ONV33148FM	L2+ managed Ethernet fiber switch with 10* 10/100/1000M RJ45 ports and 4*100/1000M SFP fiber slot ports. Built-in 30W power supply. Support 1U/19 inch rack installation.

Note: Ethernet fiber switch does not include the SFP module by default and needs to be purchased separately.

PACKING LIST

PACKING LIST	CONTENT	QTY	UNIT
	14-port full gigabit managed Ethernet fiber switch	1	SET
	AC Power Cable	1	PC
	RJ45-DB9 Line	1	PC
	Mounting Kits(Hanging Ear)	1	SET
	User Guide	1	PC
	Warranty Card	1	PC

OPTICAL MODULE INFORMATION

Product	Model	Description	Unit
1.25G Optical module	ONV-2630	SFP optical module, 1.25G, multi mode dual fiber 850nm, transmission distance: 550m, LC interface, support DDM function, support hot plug and pull.	PC
	ONV-2632	SFP optical module, 1.25G, single-mode dual fiber 1310nm, transmission distance: 20km, LC interface, support DDM function, support hot plug and pull.	PC
	ONV-2612-T	SFP optical module, 1.25G, single-mode single fiber TX1310nm/RX1550nm, transmission distance: 20km, LC interface, support DDM function, support hot plug and pull.	PC
	ONV-2613-R	SFP optical module, 1.25G, single-mode single fiber TX1550nm/RX1310nm, transmission distance: 20km, LC interface, support DDM function, support hot plug	PC

		and pull.	
	ONV-2612-T-SC	SFP optical module, 1.25G, single-mode single fiber TX1310nm/RX1550nm, transmission distance: 20km, SC interface, support DDM function, support hot plug and pull.	PC
	ONV-2613-R-SC	SFP optical module, 1.25G, single-mode single fiber TX1550nm/RX1310nm, transmission distance: 20km, SC interface, support DDM function, support hot plug and pull.	PC
Power Module	ONV-2633	1.25G SFP optical module transfers to 10/100/1000M RJ45 port.	PC

RELATED PRODUCT

Model	Description
ONV33010FM	L2+ managed Ethernet fiber switch with 8* 10/100/1000M RJ45 ports and 2*100/1000M SFP fiber ports. Built-in 30W power supply. Support 1U/19 inch rack installation.
ONV33020FM	L2+ managed Ethernet fiber switch with 16* 10/100/1000M RJ45 ports and 4*100/1000M SFP fiber ports. Built-in 30W power supply. Support 1U/19 inch rack installation.
ONV33028FM	L2+ managed Ethernet fiber switch with 24* 10/100/1000M RJ45 ports and 4*100/1000M SFP fiber ports. Built-in 60W power supply. Support 1U/19 inch rack installation.
ONV33368FM	L2+ managed Ethernet fiber switch with 8*10/100/1000M RJ45 ports and 28*100/1000M SFP fiber ports. Built-in 60W power supply. Support 1U/19 inch rack installation.
ONV33048FM	L2+ managed Ethernet fiber switch with 48*10/100/1000M RJ45 ports and

4*100/1000M uplink SFP fiber ports. Built-in 60W power supply. Support 1U/19 inch rack installation.

CONTACT US

ONV

OPTICAL NETWORK VIDEO TECHNOLOGIES (SHENZHEN) CO., LTD.

Tel: 0086-755-33376606

Fax: 0086-755-33376608

Email: onv@onv.com.cn

Website: www.onvcom.com

Zip: 518000

Headquarter Address: Room 1003, Block D, Terra Building, Futian District, Shenzhen, China

Factory Address: The 4-6th Floor, No. 59, Huaning Road, Xinwei Community, Dalang Street, Longhua District, Shenzhen, China

