

## Product Datasheet

# 52-port 10G Uplink L3 Managed Ethernet Fiber Switch

(ONV38048FM)



## OVERVIEW

The ONV38048FM is a 10G uplink L3 managed Ethernet fiber switch independently developed by ONV. It has 48\*10/100/1000Base-T RJ45 ports and 4\*1/10G SFP+ fiber slot ports. Each port can support wire-speed forwarding.

The ONV38048FM has L3 network management function, support IPV4/IPV6 management, dynamic routing and forwarding, complete security protection mechanism, complete ACL/QoS policy and rich VLAN functions, and is easy to manage and maintain. Supports multiple network redundancy protocols STP/RSTP/MSTP (<50ms) and (ITU-T G.8032) ERPS(<20ms) to improve link backup and network reliability. When one-way network fails, communication can be quickly restored to ensure important Uninterrupted communication for applications. According to the actual application requirements, you can configure multiple application services such as port traffic control, VLAN division, and SNMP through the Web network management mode. It satisfies high-density network application environment and is suitable for medium, large-scale scenes such as hotel, campus, park, shopping mall, scenic spot, hospital, bank to form an economical, efficient and reliable communication network.

## FEATURE

### ■ Full Gigabit access, 10G SFP+ fiber port uplink

- ◇ Supports Gigabit Ethernet port and 10G SFP+ fiber slot port combination, which enables users to flexibly build networking to meet the needs of various scenarios.
- ◇ Support non-blocking wire-speed forwarding.
- ◇ Support full-duplex based on IEEE802.3x and half-duplex based on Backpressure.

### ■ Strong business processing capability

- ◇ IEEE802.1Q VLAN, flexible VLAN division, Voice VLAN and QinQ configuration.
- ◇ QoS, Priority mode based on 802.1P, Port & DSCP, queue scheduling algorithm including Equ, SP, WRR & SP+WRR.
- ◇ ALC, filter data packet through configuring matching rules, processing operation & time permission, and provide flexible and safe access control.
- ◇ IGMP V1/V2 and IGMP Snooping.
- ◇ ERPS/STP/RSTP/MSTP.
- ◇ Static and dynamic aggregation.

### ■ Security

- ◇ 802.1X authentication.
- ◇ Port isolation, Storm control.
- ◇ IP-MAC-VLAN-Port binding.

### ■ Stable and reliable

- ◇ CCC, CE, FCC, RoHS.
- ◇ Low power consumption, galvanized steel casing, The fan active cooling.
- ◇ Self-developed power supply, high redundancy design, providing a long term and stable power output.
- ◇ The user-friendly panel can show the device status through the LED indicator of PWR, SYS, Link, L/A.

## ■ Easy operation and maintenance management

- ◇ HTTPS, SSLV3, and SSHV1/V2.
- ◇ RMON, system log, LLDP, and port traffic statistics.
- ◇ CPU monitoring, memory monitoring, Ping test, and cable diagnose.
- ◇ Web management, CLI command line (Console, Telnet), SNMP (V1/V2/V3).

## TECHNICAL SPECIFICATION

Model	ONV36048FM	ONV38048FM
<b>Interface Characteristics</b>		
Fixed Port	48*10/100/1000Base-T RJ45 ports (Data) 4*1/10G SFP+ fiber slot ports (Data) 1*Console RS232 port (115200,N,8,1)	
Ethernet Port	Port 1-48 support 10/100/1000Base-T auto-sensing, full/half duplex MDI/MDI-X self-adaption	
Twisted Pair Transmission	10BASE-T: Cat3,4,5 UTP(≤100 meter) 100BASE-TX: Cat5 or later UTP(≤100 meter) 1000BASE-T: Cat5e or later UTP(≤100 meter)	
Optical Fiber Port	1/10G SFP+ optical fiber port, default no include optical modules (optional order single-mode / multi-mode, single fiber / dual fiber optical module. LC)	
Optical Fiber Port Expansion	Support Turbo overclocking 2.5G optical module expansion and ring network	
Optical Cable/ Distance	Multi-mode: 850nm / 0~500M(1.25G), 0~300M(10G), Single-mode: 1310nm / 0~ 40KM, 1550nm / 0~120KM.	
<b>Chip Parameter</b>		
Network	L2+	L3

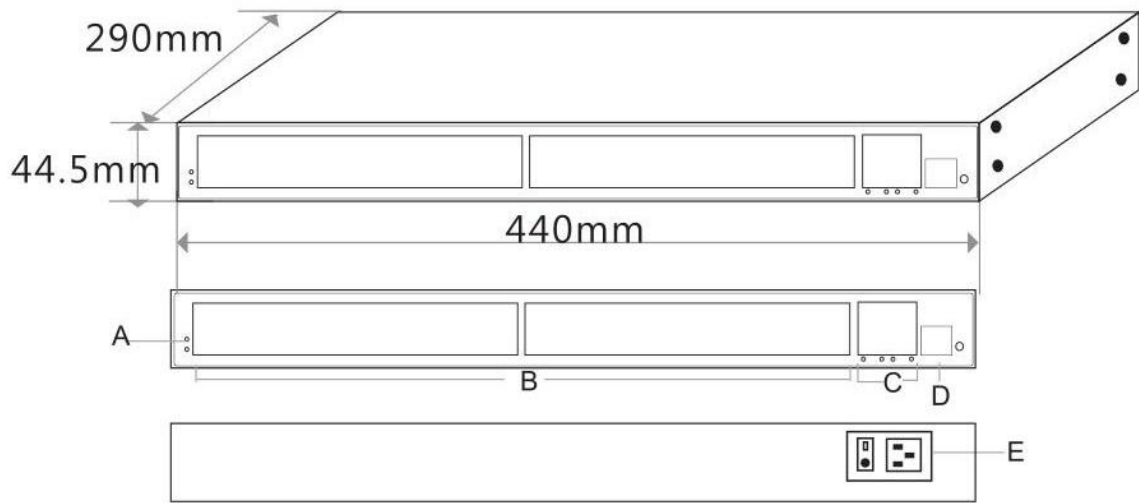
Management Type	
Network Protocol	IEEE802.3 10BASE-T, IEEE802.3i 10Base-T, IEEE802.3u 100Base-TX IEEE802.3ab 1000Base-T, IEEE802.3z 1000Base-X, IEEE802.3ae 10GBase-SR/LR, IEEE802.3x
Forwarding Mode	Store and Forward(Full Wire Speed)
Switching Capacity	598Gbps
Forwarding Rate@64byte	131Mpps
CPU	500MHz
DRAM	4G
FLASH	256M
MAC	32K
Buffer Memory	32M
Jumbo Frame	9.6K
LED Indicator	Power: PWR (Yellow), System: SYS(Yellow), Network: Link (Yellow), Fiber port: L/A (Green)
Reset Switch	Yes, press and hold the switch for 10 seconds and release it to restore the factory settings
<b>Power Supply</b>	
Total PWR / Input Voltage	60W/(AC100-240V)
Power Consumption	Standby<35W, Full Load<55W
Power Supply	Built-in power supply, AC 100~240V 50-60Hz 1.0A
<b>Physical Parameter</b>	
Operation TEMP / Humidity	-20~+55°C, 5%~90% RH Non condensing
Storage TEMP / Humidity	-40~+80°C, 5%~95% RH Non condensing

Dimension (L*W*H)	440*290*44.5mm	
Net /Gross Weight	<4.4kg / <5.0kg	
Installation	Desktop, Wall-mounted, 19 inch 1U cabinet installation	
<b>Certification &amp; Warranty</b>		
Lightning Protection	Lightning protection: 4KV 8/20us, Protection level: IP30	
Certification	CCC, CE mark, commercial, CE/LVD EN60950, FCC Part 15 Class B, RoHS	
Warranty	3 years, lifelong maintenance.	
<b>Network Management Features</b>		
Interface	<p>IEEE802.3X (Full-duplex)</p> <p>Port temperature protection setting</p> <p>No connection port automatic sleep</p> <p>Port green Ethernet Energy-saving setting</p> <p>Broadcast storm control based on port speed</p> <p>SFP+ optical port DDMI real-time digital diagnosis</p> <p>The speed limit of the message flow in the access port, minimum particle size is 64Kbps.</p>	
Layer 3 Features	<p>L2+ network management</p> <p>ARP protocol, maximum 1024 entries</p> <p>IPV4/IPV6 static route/default route supports up to 128 entries</p> <p>Layer 3 routing and forwarding, support communication between different network segments and different VLANs</p>	<p>IPV4 Equal Cost Routing</p> <p>NG protocol, maximum 1000 entries</p> <p>ARP protocol, maximum 1000 entries</p> <p>Pingv6, Telnetv6, TFTPv6, DNSv6, ICMPv6</p> <p>IPV4/IPV6 VRRP, the maximum group is 255</p> <p>IPV4/IPV6 VLANIF interface supports up to 128</p> <p>IPV4/IPV6 static route/default route supports up to 128 entries</p> <p>L3 network management function,</p>

	<p>IPV4/IPV6 dual-stack management</p> <p>IPV4 dynamic routing, RIPv1/v2, OSPFv2, BGP4+, 4000 routing entries</p> <p>IPV6 dynamic routing OSPFv3, BGP+, RIPng, IPV6 management, 1000 routing entries</p> <p>Layer 3 routing and forwarding, support communication between different network segments and different VLANs</p>
VLAN	<p>Voice VLAN, QinQ configuration, IEEE802.1q</p> <p>VLAN based on MAC, VLAN based on the protocol</p> <p>4K VLAN based on port, Port configuration of Access, Trunk, Hybrid.</p>
Port Aggregation	<p>LACP, Static aggregation</p> <p>Max 26 aggregation groups and 8 ports per group.</p>
Spanning Tree	STP (IEEE802.1d), RSTP (IEEE802.1w), MSTP (IEEE802.1s)
Industrial Ring	G.8032 (ERPS), Recovery time less than 20ms
Network Protocol	250 Ring at most, Max 250 devices per ring.
Multicast	<p>MLD Snooping v1/v2, Multicast VLAN</p> <p>IGMP Snooping v1/v2, Max 1024 multicast groups, Fast log out</p>
Port Mirroring	Bidirectional data mirroring based on port
QoS	<p>Flow-based Rate Limiting</p> <p>Flow-based Packet Filtering</p> <p>8*Output queues of each port</p> <p>802.1p/DSCP priority mapping</p> <p>Diff-Serv QoS, Priority Mark/Remark</p> <p>Queue Scheduling Algorithm (SP, WRR, SP+WRR)</p>
ACL	Port-based Issuing ACL, ACL based on port and VLAN

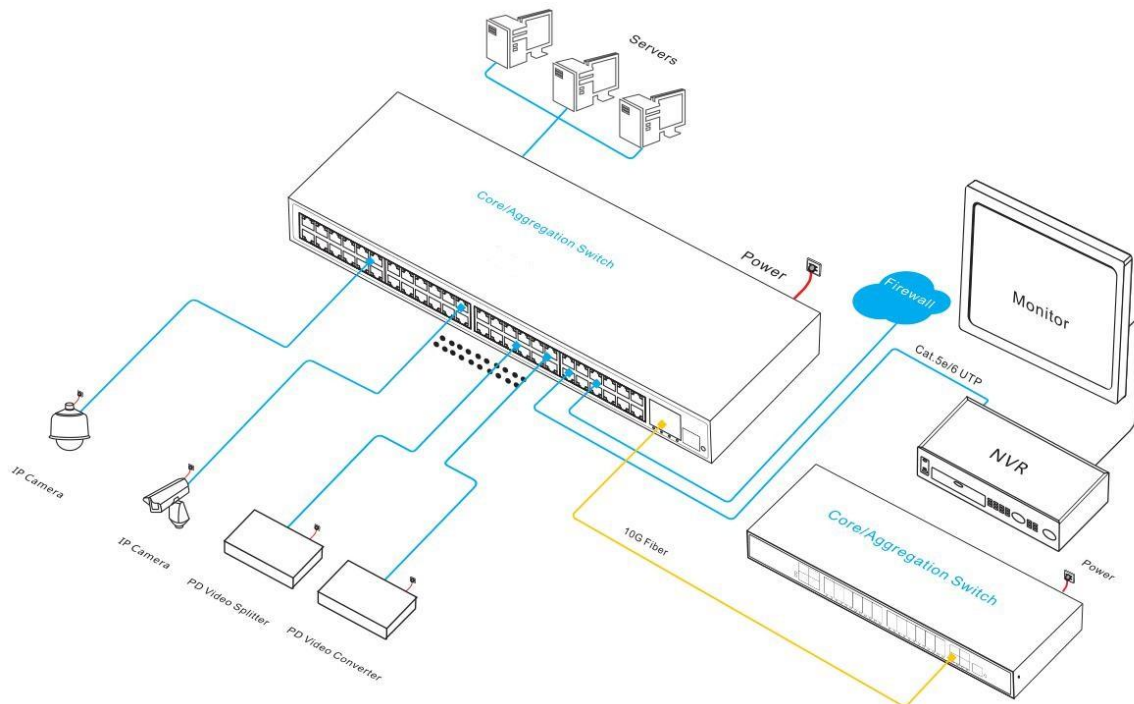
	L2 to L4 packet filtering, matching first 80 bytes message. Provide ACL based on MAC, Destination MAC address, IP Source, Destination IP, IP Protocol Type, TCP/UDP Port, TCP/UDP Port Range, and VLAN, etc.
Security	<p>IP-MAC-VLAN-Port binding</p> <p>ARP inspection, Anti-DoS attack</p> <p>AAA &amp; RADIUS, MAC learning limit</p> <p>Mac black holes, IP source protection</p> <p>IEEE802.1X &amp; MAC address authentication</p> <p>Broadcast storm control, Backup for host datum</p> <p>SSH 2.0, SSL, Port isolation, ARP message speed limit</p> <p>User hierarchical management and password protection</p>
DHCP	DHCP Client, DHCP Snooping, DHCP Server, DHCP Relay
Management	<p>CPU instant utilization status view</p> <p>Console/AUX Modem/Telnet/SSH2.0 CLI</p> <p>One-key recovery, Cable Diagnose, LLDP</p> <p>Web Management (HTTPS), NTP, System work log, Ping Test</p> <p>ONV NMS- Smart Network Management System Platform (LLDP+SNMP)</p> <p>Download &amp; Management on FTP, TFTP, Xmodem, SFTP, SNMP</p> <p>V1/V2C/V3</p>
System	<p>Category 5 Ethernet network cable</p> <p>Web browser: Mozilla Firefox 2.5 or higher, Google browser chrome V42 or higher, Microsoft Internet Explorer10 or later;</p> <p>TCP/IP, network adapter, and network operating system (such as Microsoft Windows, Linux, or Mac OS X) installed on each computer in a network</p>

## DIMENSION



- A. Working indicator
- B. 48\*10/100/1000M RJ45 ports
- C. 4\*1/10G SFP+ ports
- D. Console port
- E. Power input port AC100-240V,50/60Hz

## APPLICATION





## ORDERING INFORMATION

Model	Description	Built-in Power Supply
ONV36048FM	L2+ managed Ethernet aggregation /core fiber switch with 48*10/100/1000M RJ45 ports and 4*1/10G SFP+ fiber ports. Support 1U/19 inch rack installation.	60W
ONV38048FM	L3 managed Ethernet aggregation /core fiber switch with 48*10/100/1000M RJ45 ports and 4*1/10G SFP+ fiber ports. Support 1U/19 inch rack installation.	60W

**Note:** The SFP optical module is not included by default and needs to be purchased separately.

## PACKING LIST

	CONTENT	QTY	UNIT
PACKING LIST	52-port 10G uplink L3 managed Ethernet fiber switch	1	SET
	AC Power Cable	1	PC
	RJ45-DB9 Line	1	PC
	Mounting Kits(Hanging Ear)	1	SET
	User Guide	1	PC
	Warranty Card	1	PC

## OPTICAL MODULE INFORMATION

Product	Model	Description	Unit
1.25G Optical Module	2630	SFP optical module, 1.25G, multi mode dual fiber 850nm, transmission distance: 550m, LC interface, support DDM function, support hot plug and pull.	PC

	2632	SFP optical module, 1.25G, single-mode dual fiber 1310nm, transmission distance: 20km, LC interface, support DDM function, support hot plug and pull.	PC
	2612-T	SFP optical module, 1.25G, single-mode single fiber TX1310nm/RX1550nm, transmission distance: 20km, LC interface, support DDM function, support hot plug and pull.	PC
	2613-R	SFP optical module, 1.25G, single-mode single fiber TX1550nm/RX1310nm, transmission distance: 20km, LC interface, support DDM function, support hot plug and pull.	PC
	2612-T-SC	SFP optical module, 1.25G, single-mode single fiber TX1310nm/RX1550nm, transmission distance: 20km, SC interface, support DDM function, support hot plug and pull.	PC
	2613-R-SC	SFP optical module, 1.25G, single-mode single fiber TX1550nm/RX1310nm, transmission distance: 20km, SC interface, support DDM function, support hot plug and pull.	PC
Power Module	2633	1.25G SFP optical module transfers to 10/100/1000M RJ45 port.	PC
10G Optical Module	6630	SFP+ optical module, 10G Multi-mode dual fiber 850nm, transmission distance: 300m, LC interface, support DDM function, support hot plug and pull.	PC
	7832	SFP+ optical module, 10G Single-mode dual fiber 1310nm, transmission distance: 20km, LC interface, support DDM function, support hot plug and pull.	PC
	7832-33	SFP+ optical module, 10G Single-mode single fiber TX1330nm/RX1270nm, transmission distance: 20km, LC interface, support DDM function, support hot plug and pull.	PC
	7832-27	SFP+ optical module, 10G Single-mode single fiber TX1270nm/RX13300nm, transmission distance: 20km, LC interface, support DDM function, support hot plug and pull.	PC

## RELATED PRODUCT

Model	Description
ONV38168FM	L3 managed Ethernet aggregation fiber switch with 12*10/100/1000M RJ45 ports and 4*1/10G SFP+ fiber ports. Built-in 30W power supply. Support 1U/19 inch rack installation.
ONV38028FM	L3 managed Ethernet aggregation fiber switch with 24*10/100/1000M RJ45 ports and 4*1/10G SFP+ fiber ports. Built-in 60W power supply. Support 1U/19 inch rack installation.
ONV38368FM	L3 managed Ethernet aggregation fiber switch with 8*10/100/1000M RJ45 ports and 24*100/1000M SFP fiber ports and 4*1/10G SFP+ fiber ports. Built-in 60W power supply. Support 1U/19 inch rack installation.
ONV38036FM	L3 managed Ethernet aggregation fiber switch with 24*10/100/1000M RJ45 ports and 8*100/1000M SFP fiber ports and 4*1/10G SFP+ fiber ports. Built-in 60W power supply. Support 1U/19 inch rack installation.
ONV38448FM	L3 managed Ethernet aggregation fiber switch with 12*10/100/1000M RJ45 ports and 28*100/1000M SFP fiber ports and 4*1/10G SFP+ fiber ports. Built-in 60W power supply. Support 1U/19 inch rack installation.

## CONTACT US

**ONV** Optical Network Video Technologies (Shenzhen) Co., Ltd.

Tel: 0086-755-33376606

Fax: 0086-755-33376608

Email: [onv@onv.com.cn](mailto:onv@onv.com.cn)

Skype: [onv@onv.com.cn](https://www.skype.com/people/onv@onv.com.cn)

WeChat ID: ONV-PoE-IoT

Website: [www.onvcom.com](http://www.onvcom.com)

Headquarter Address: Room 1003, Block D, Terra Building, Futian District, Shenzhen

Factory Address: The 4-6th Floor, No. 59, Huaning Road, Xinwei Community, Dalang Street, Longhua District, Shenzhen

