

## Product Datasheet

# 100M 1C4E Coaxial Cable EOC Converter

(EOC1C4E-3)



## OVERVIEW

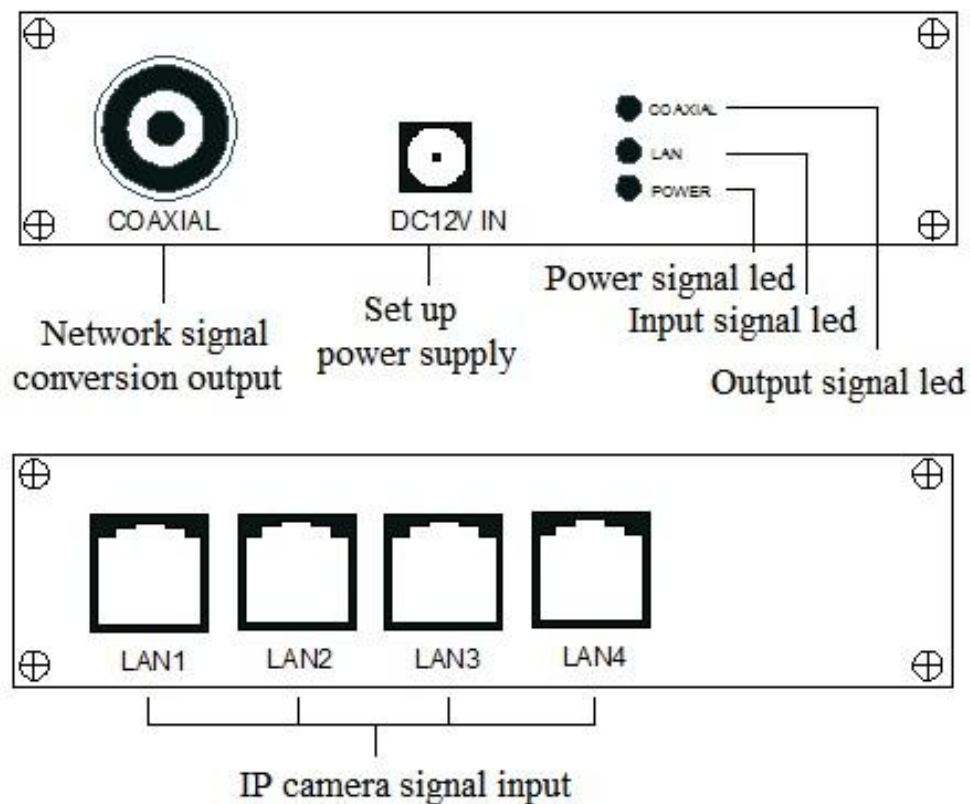
The EOC1C4E-3 coaxial cable EOC converter is a high-speed network transmission device. IEEE-based P1901 technology can transmit high-definition video and high-speed data signals through any two-core cable. Such as elevator accompanying cables, twisted pairs, coaxial lines, etc. for long-distance transmission, the transmission distance can be up to 2000 meters (75-5 coaxial line). Network signals and RS485 signals can also be transmitted on one cable at the same time. It can support remote power supply and signal transmission via common cable, which facilitates construction and saves costs.

The EOC1C4E-3 can support one-to-one and one-to-multipoint data transmission. long transmission distance, high communication rate, and support multimedia services, networking, etc.

## FEATURE

- ◇ Easy to use. Supports plug-and-play, no need to change any configuration of network terminal equipment such as network cameras.
- ◇ Supports multi-node networking. Up to 20 network cameras and other terminal devices can be connected to one power line or cable at the same time.
- ◇ Security and confidentiality. Supports AES-128 security encryption. Supports manufacturers, users can code by themselves and change communication passwords on-site instantly.
- ◇ Long transmission distance. For ordinary SVY75-5 cable, the maximum transmission distance can reach 2Km, while maintaining the TCP/IP throughput not less than 30Mbps.
- ◇ Supports PoC (power over cable) remote power supply. Coaxial cables or telephone lines can be used to provide power to remote devices. When using 500M SVY75-5 cable, it supports 40W power output.
- ◇ High communication speed. Based on the SVY75-5 circuit, on-site measured TCP/IP throughput data:
  - ◇ 1) The cable length is less than 400M-92Mbps.
  - ◇ 2) The cable length is less than 1000M-74Mbps.
  - ◇ 3) The cable length is less than 2000M-30Mbps.
- ◇ It can make full use of the original coaxial cable, power line or telephone line wiring without re-laying communication media such as Ethernet, which greatly simplifies network deployment and reduces network installation costs.

## DIMENSION



### Equipped with Led indicators

**POWER:** power indicator.

**Coaxial: Physical link connection indicator:** When the coaxial cable or twisted pair physical line is connected, the indicator light is always on. If the indicator light is off, please check the transmission line.

**LAN: Ethernet interface connection/activity indicator:** The indicator light is always on when the Ethernet connection has been established, and the indicator light flashes when there is data activity on the Ethernet connection.

### Configuration button

The device defaults to the host (MASTER)

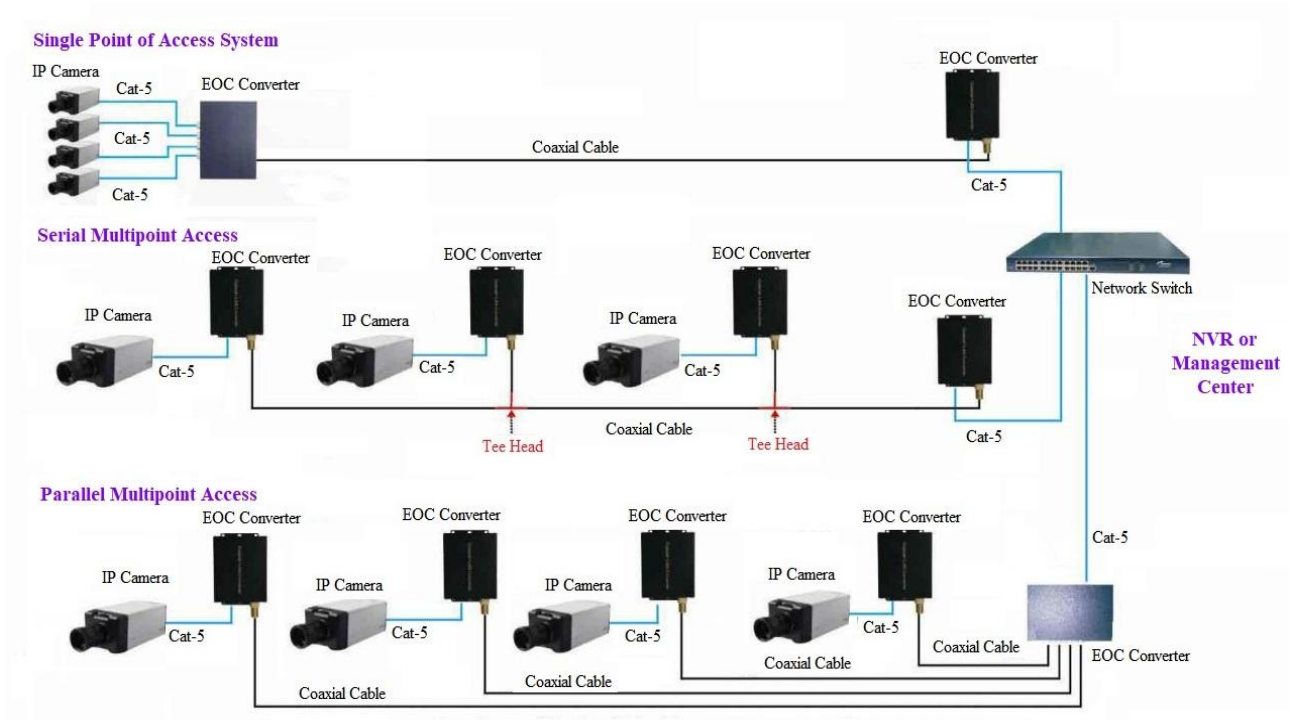
## TECHNICAL SPECIFICATION

Actual Transfer Rate	Transmission Distance	Coaxial Cable 75-5	Twisted Pair 5e	Parallel Lines
	300 meters	91Mbps	91Mbps	65Mbps
	600 meters	85Mbps	78Mbps	55Mbps
	1000 meters	78Mbps	65Mbps	35Mbps
	1500 meters	50Mbps	41Mbps	25Mbps
	2000 meters	30Mbps	25Mbps	15Mbps

Model	EOC4C1E-3
<b>Power Supply Section</b>	
Power Supply	Powered by power adapter, DC12V/ 1A
Power Consumption	<1.5W
<b>Signal Transmission and Interface</b>	
Ethernet Communication Interface	RJ45 interface socket
Transport Port	BNC
Transmission Signal Type	Fast Ethernet signal
<b>Status Indicator</b>	
Slave	N/A
Power Supply	POWER
Ethernet	LAN
Transmission	COAXIAL
<b>Adjustment Method</b>	
Toggle Switches	device defaults to Slave
<b>Protection Level</b>	
Transmission Signal Surge Protection	2KV (differential mode) 4KV (common mode)
	Implementation standard: IEC6100-4-5
Electrostatic Protection	contact discharge level 3
	1b air discharge level 3

	Implementation standard: IEC6100-4-2
<b>Operating Environment</b>	
Operating Temperature	0°C to 70°C
Storage Temperature	-20°C to 70°C
Humidity (no Condensation)	0 to 95%
<b>Device properties</b>	
Dimensions	110*65*24mm
Shell	aluminum material
Color	black
Weight	110g
MTBF	>20000 hours

## APPLICATION



## ORDERING INFORMATION

Model	Description
EOC1C4E-3	100M 4C1E coaxial cable EOC converter with 4*10/100M auto-sensing RJ45 port and 1*Coaxial input/ output BNC ports. Power supply voltage DC12V/1A. Default transmission distance 300 meters.

## PACKING LIST

	Content	Qty	Unit
Packing List	100M 1C4E coaxial cable EOC converter	1	SET
	DC12V, 1A Power Adapter	1	PC
	User Guide	1	PC
	Warranty Card	1	PC