

## Product Datasheet

# 2-port Gigabit Single-mode Single Fiber Media Converter (ONV1110-SCX-O-A3)



## OVERVIEW

The ONV1110-SCX-O-A3 is a Gigabit single-mode single fiber media converter independently developed by ONV. It has 1\*10/100/1000Base-T RJ45 port and 1\*1000M uplink SC fiber port. Users can select different optical modules, such as multi-mode dual fiber, single-mode dual fiber, and single-mode single fiber. The media converter adopts the enterprise-class Taiwan Realtek carrier-grade chip solution, which has stable performance, good quality, and high-cost performance. It is suitable for optical fiber access application scenarios such as security monitoring, wireless coverage, intelligent transportation, and safe cities to form a cost-effective and stable communication network. Unmanaged model, plug and play, no configuration, easy to use.

## FEATURE

### ■ Gigabit photoelectric Ethernet conversion transmission

- ◇ Support non-blocking wire-speed forwarding.
- ◇ Support full-duplex based on IEEE802.3x and half-duplex based on Backpressure.
- ◇ Support gigabit RJ45 port and gigabit fiber port combination, which enables users to flexibly build networking to meet the needs of various scenarios.

### ■ Easy to use and simple to maintain

- ◇ Support full-duplex /half-duplex working mode with auto-negotiation function.
- ◇ Automatic identification of twisted pair MDI/ MDI-X cross lines and parallel lines.
- ◇ LED working status indication for network diagnosis and fault checking, reducing maintenance workload.
- ◇ Compatible with IEEE802.3ab 1000Base-T, IEEE802.3z 1000Base-X network protocol, gigabit RJ45 port rate auto-negotiation.
- ◇ Plug and play, no configuration required, centralized power supply and centralized connection management through 2U-14 slot rack.

### ■ Stable and reliable

- ◇ CCC, CE, FCC, RoHS.
- ◇ Low power consumption, No fan, galvanized steel casing.
- ◇ Comply with telecommunication network access requirements, and have the telecommunications equipment network access license of the MIIT.

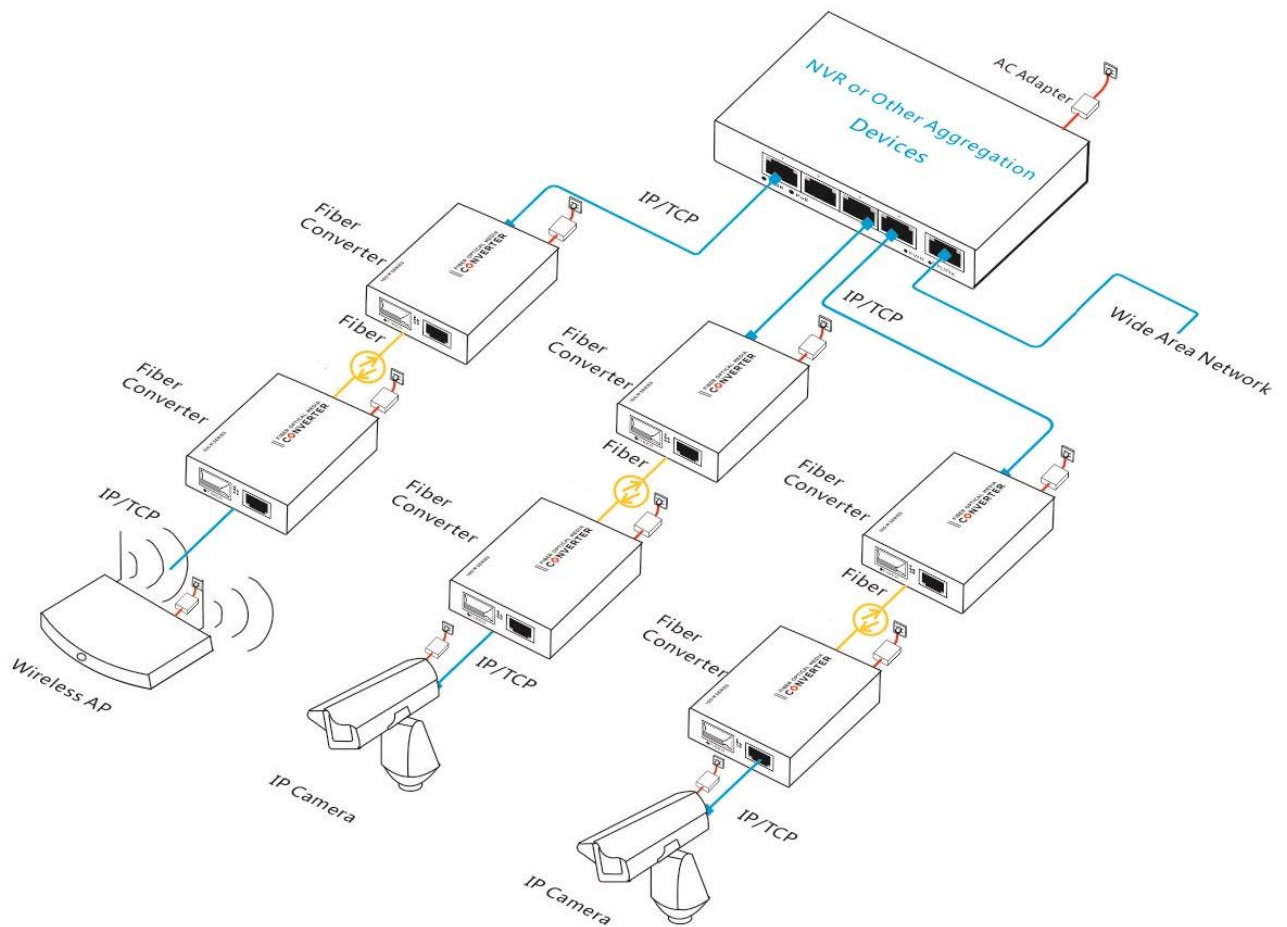
## TECHNICAL SPECIFICATION

Model	ONV1110-SCX-O-A3	ONV1110-SCX-O-B3
<b>Interface Characteristics</b>		
Interface	1*1000M uplink SC fiber port (Data)	

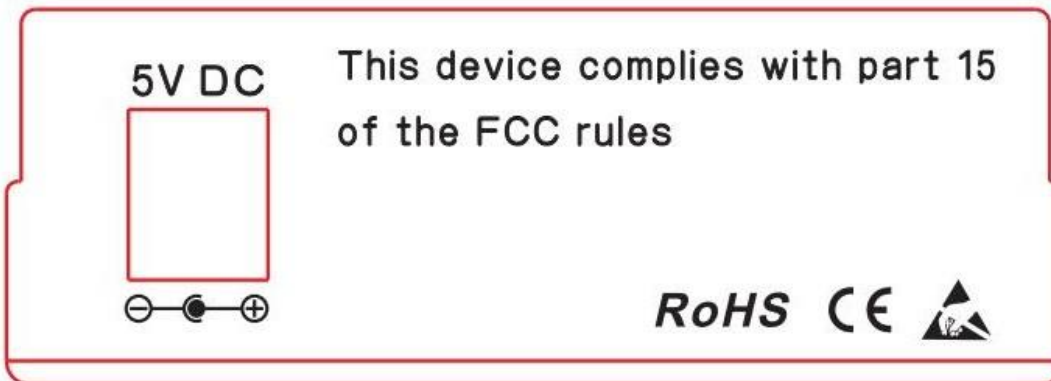
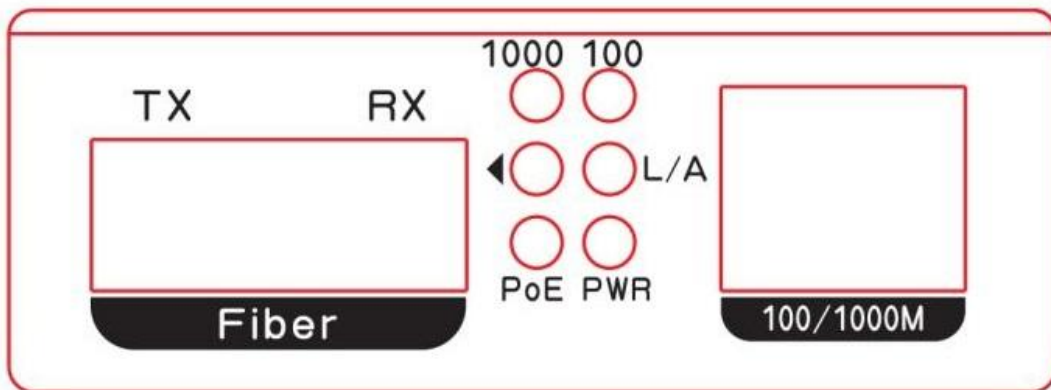
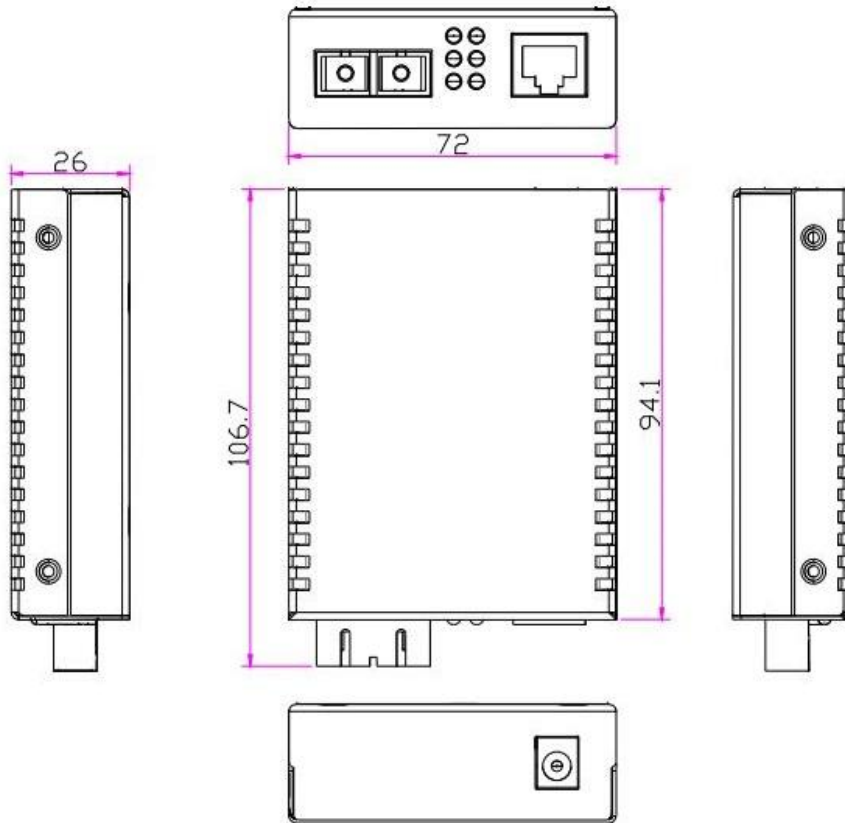
	1*10/100/1000Base-T RJ45 port (Data)	
Ethernet Port	10/100/1000Base-T auto-sensing, full/ half duplex MDI/ MDI-X self-adaption	
Twisted Pair Transmission	10BASE-T: Cat3,4,5 UTP(≤100 meters) 100BASE-TX: Cat5 or later UTP(≤100 meters) 1000BASE-T: Cat5e or later UTP(≤100 meters)	
Optical Fiber Port	1.25Gbps, single-mode single fiber SC port	
Optical Module	Single-mode emitting wavelength: 1310nm/ 0-3km Receiving wavelength: 1550nm/ 0-3km	Single-mode emitting wavelength: 1550nm/ 0-3km Receiving wavelength: 1310nm/ 0-3km
<b>Chip Parameter</b>		
Network Protocol	IEEE802.3 10BASE-T, IEEE802.3i 10Base-T, IEEE802.3u 100Base-TX IEEE802.3ab 1000Base-T, IEEE802.3z 1000Base-X, IEEE802.3x	
Forwarding Mode	Store and forward(Full wire speed)	
Switching Capacity	2.0Gbps (Non-blocking)	
Forwarding Rate@64byte	3.0Mpps	
MAC	2K	
Buffer Memory	1M	
Jumbo Frame	1632byte	
LED Indicator	Power: PWR (Green), Gigabit: 1000 (Green), 100M: 100 (Green) Optical Fiber/ Network: L/A (Green), Half/ Full duplex: FDX (Green)	
<b>Power Supply</b>		
Total PWR / Input Voltage	3.5W/ (5VDC)	
Power Consumption	Standby<1W, Full Load<4W	
<b>Physical Parameter</b>		
Operation TEMP /	-20°C~+55°C, 5%~90% RH Non condensing	

Humidity	
Storage TEMP / Humidity	-40°C~+85°C, 5%~95% RH Non condensing
Dimension (L*W*H)	106*72*26mmmm
Net /Gross Weight	<0.3kg / <0.5kg
Installation	Desktop
<b>Certification &amp; Warranty</b>	
Lightning Protection	Lightning protection: 4KV 8/20us, Protection level: IP30
Certification	CCC, CE mark, commercial, CE/LVD EN62368-1, FCC Part 15 Class B, RoHS
Warranty	3 years, lifelong maintenance.

## APPLICATION



## DIMENSION



## ORDERING INFORMATION

Model	Description
ONV1110-SCX-O-A3	Gigabit single-mode single fiber media converter with 1*10/100/1000M RJ45 port and 1*1.25G SC fiber port. 1310nm/ 3km. Total power is 4W. External power supply.
ONV1110-SCX-O-B3	Gigabit single-mode single fiber media converter with 1*10/100/1000M RJ45 port and 1*1.25G SC fiber port. 1550nm/ 3km. Total power is 4W. External power supply.
ONV1110-MCX-O	Gigabit multi-mode dual fiber media converter with 1*10/100/1000M RJ45 port and 1*1.25G SC fiber port. 850nm/ 0-550m. Total power is 4W. External power supply.
ONV1110-SCX-O	Gigabit single-mode dual fiber media converter with 1*10/100/1000M RJ45 port and 1*1.25G SC fiber port. 1310nm/ 0-20km. Total power is 4W. External power supply.
ONV1110S-SCX-O-A	Gigabit single-mode single fiber media converter with 1*10/100/1000M RJ45 port and 1*1.25G SC fiber port. 1310nm/ 0-20km. Total power is 4W. External power supply.
ONV1110S-SCX-O-B	Gigabit single-mode single fiber media converter with 1*10/100/1000M RJ45 port and 1*1.25G SC fiber port. 1550nm/ 0-20km. Total power is 4W. External power supply.
ONV1110-MCX-K	Gigabit multi-mode dual fiber media converter with 1*10/100/1000M RJ45 port and 1*1.25G SC fiber port. 850nm/ 0-550m. Total power is 4W. Support one-click switch LFP enable and store-forward/ pass-through forwarding. External power supply.
ONV1110-SCX-K	Gigabit single-mode dual fiber media converter with 1*10/100/1000M RJ45 port and 1*1.25G SC fiber port. 1310nm/ 0-20km. Total power is 4W. Support one-click switch LFP enable and store-forward/ pass-through forwarding. External power supply.
ONV1110S-SCX-K-A	Gigabit single-mode single fiber media converter with 1*10/100/1000M

	RJ45 port and 1*1.25G SC fiber port. 1310nm/ 0-20km. Total power is 4W. Support one-click switch LFP enable and store-forward/ pass-through forwarding. External power supply.
ONV1110S-SCX-K-B	Gigabit single-mode single fiber media converter with 1*10/100/1000M RJ45 port and 1*1.25G SC fiber port. 1550nm/ 0-20km. Total power is 4W. Support one-click switch LFP enable and store-forward/ pass-through forwarding. External power supply.
ONV1110-MLX-F	Gigabit multi-mode dual fiber media converter with 1*10/100/1000M RJ45 port and 1*1.25G SFP fiber port. 850nm/ 0-550m. Total power is 4W. External power supply.
ONV1110-SLX-F	Gigabit single-mode dual fiber media converter with 1*10/100/1000M RJ45 port and 1*1.25G SFP fiber port. 1310nm/ 0-20km. Total power is 4W. External power supply.
ONV1110S-SLX-F-A	Gigabit single-mode single fiber media converter with 1*10/100/1000M RJ45 port and 1*1.25G SFP fiber port. 1310nm/ 0-20km. Total power is 4W. External power supply.
ONV1110S-SLX-F-B	Gigabit single-mode single fiber media converter with 1*10/100/1000M RJ45 port and 1*1.25G SFP fiber port. 1550nm/ 0-20km. Total power is 4W. External power supply.

## PACKING LIST

	Content	Qty	Unit
Packing List	2-port gigabit single-mode single fiber media converter	1	SET
	5V/1A Power Adapter	1	PC
	User Guide	1	PC
	Warranty Card	1	PC

## CONTACT US

**ONV** Optical Network Video Technologies (Shenzhen) Co., Ltd.

Tel: 0086-755-33376606

Fax: 0086-755-33376608

WeChat: ONV-PoE-IoT

Email: onv@onv.com.cn

Skype: onv@onv.com.cn

Website: www.onvcom.com

Headquarter Address: Room 1003, Block D, Terra Building, Futian District, Shenzhen, China

Factory Address: Floor 4-6, Building A, Senyutai Industrial Park, No. 111, Huaning Road, Xinshi

Community, Dalang Street, Longhua District, Shenzhen, China

