

OPTICAL NETWORK VIDEO TECHNOLOGIES (SHENZHEN) CO., LTD.

Product Datasheet

## 51-Port Gigabit Uplink Ethernet Fiber Switch

**ONV31048F**



### OVERVIEW

The ONV31048F series is a high-performance and easy-to-maintain gigabit uplink unmanaged Ethernet fiber switch. It is a switch for hotels, banks, campuses, attractions, supermarkets, factory dormitories, and small and medium business network environments. It has 48\*10/100Base-TX RJ45 ports and 3\*10/100/1000Base-X SFP ports and 2\*1000M uplink SFP fiber slot ports (combo port), which can be easily connected to the network through the combo port. Expansion. Each port can support full line rate forwarding, 4M large-capacity cache (2 times the same kind of products), guarantee the timely transmission of large files and stable video stream, 7\*24 hours stable and not dropped, effectively solve the video jam in the HD monitoring environment, Problems such as missing pictures. The ONV31048F is made of the high-strength all-steel casing. It is simple and stylish, exquisite and beautiful. It supports desktop and 1U/19-inch cabinet installation. It is plug-and-play, no need to set up, easy to use, and is ideal for improving network performance.

## FEATURE

### ■ 10/100M access, gigabit (TP/SFP) combo port uplink

- ◇ All series supports 10/100M Ethernet port and gigabit uplink RJ45 port and gigabit uplink SFP fiber port combination, which enables users to flexibly build networking to meet the needs of various scenarios.
- ◇ Support non-blocking wire speed forwarding.
- ◇ Support full duplex based on IEEE802.3x and half duplex based on backpressure.

### ■ The equipment is stable and reliable

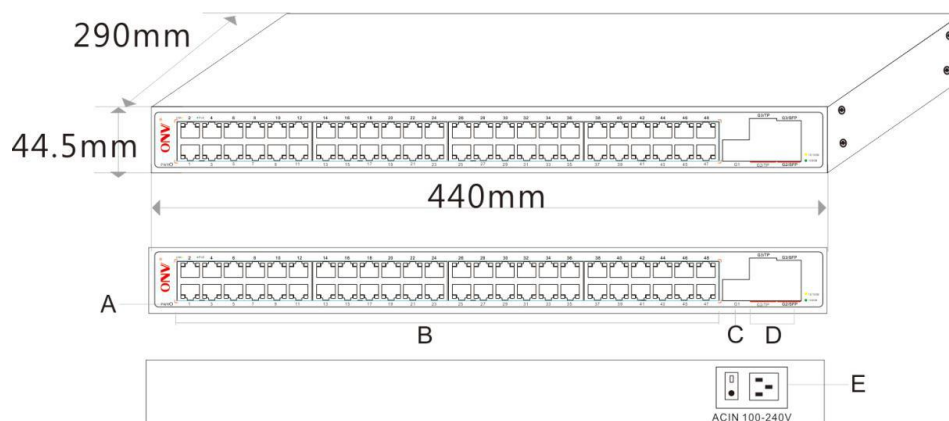
- ◇ The host has low-power design, high-strength galvanized steel, and metal casing, super heat dissipation, to ensure stable operation of the product.
- ◇ The equipment meets the national CCC standard, fully meets the requirements of CE, FCC and RoHS safety regulations, and is safe and reliable.
- ◇ ONV-developed power supply, high redundancy design, provides long-term stable power output.
- ◇ The user can easily understand the working status of the device through the power indicator (PWR), and port status indicator (Link) operation indicator.
- ◇ Plug and play, no need to set up, easy to use.
- ◇ Support desktop and 1U/19-inch cabinet installation.

## TECHNICAL SPECIFICATION

Model	ONV31048F
Interface	48*10/100Base-TX RJ45 ports (Data) 3*10/100/1000Base-T uplink RJ45 ports (Data) 2*10/100/1000Base-X uplink SFP fiber slot port (Data)
Network Protocol	IEEE802.3 10BASE-T; IEEE802.3i 10Base-T; IEEE802.3u 100Base-TX; IEEE802.3ab 1000Base-T IEEE802.3z 1000Base-X IEEE802.3x
PoE Standard	IEEE802.3af/at international standard
Ethernet Port Feature	10/100Base-TX, 10/100/1000Base-T, auto detect, full/half duplex MDI/MDI-X adaptive
Forwarding Mode	Store and Forward(Full Wire Speed)

Switching Capacity	30Gbps (non-blocking)
Forwarding Rate@64byte	11.61Mpps
MAC	24K
Buffer Memory	4M
Jumbo Frames	10k
Twisted Pair Transmission	10BASE-T:Cat3,4,5 UTP(≤100 meter) ; 100BASE-TX: Cat5 or later UTP(≤100 meter) 1000BASE-T:Cat5e or later UTP(≤100 meter)
Total PWR / Input Voltage	60W (AC100-240V)
Power Consumption	Standby<25W; Full Load<60W
Power Supply	Built-in power supply, AC 100~240V 50-60Hz 1A
LED Indicator	Power indicator:PWR (green); network indicator: Link(yellow); speed indicator: 1000M (green)
Operation TEMP/Humidity	-20~+55°C;5%~90% RH Non condensing
Storage TEMP /Humidity	-40~+75°C;5%~95% RH Non condensing
Dimension (L*W*H)	440*290*44.5mm
Net /Gross Weight	<3.5kg / <4.0kg
Installation	Desktop type ,19 inch 1U cabinet installation
Lightning protection / Protection Level	Lightning protection :4KV 8/20us; Protection Level: IP30
Certification	CCC;CE mark, commercial; CE/LVD EN60950; FCC Part 15 Class B; RoHS;
Warranty	3 years , lifelong maintenance.

## DIMENSION



- A. Working indicator
- B. 48\*10/100M RJ45 ports
- C. Uplink gigabit RJ45 port
- D. (TP/SFP) combo ports
- E. Power input port AC100-240V,50/60Hz

## PACKING LIST

PACKING LIST	CONTENT	QTY	UNIT
	51-Port gigabit uplink Ethernet fiber switch (ONV31048F)	1	SET
AC Power Cable	1	PC	
Mounting Kits(Hanging Ear )	1	SET	
User Guide	1	PC	
Warranty Card	1	PC	

**Note:** Ethernet switch does not match the SFP module by default. If you need to purchase it, please refer to the accessory product information.

## ORDERING INFORMATION

Model	Description
ONV31048F	Ethernet fiber switch with 48* 10/100M RJ45 ports and 3*10/100/1000M uplink RJ45 port and 2*1000M SFP fiber slot ports , Built-in 60W power supply. Support 1U/19 inch rack installation.

## SELECTION OF INFORMATION

### Fiber Module Selection Table

Product	Model	Description	Unit
1.25G Fiber Module	ONV-2630	SFP optical module, 1.25G, multi mode dual fiber 850nm, transmission distance: 550m, LC interface, support DDM function, support hot plug and pull.	PC
	ONV-2632	SFP optical module, 1.25G, single-mode dual fiber 1310nm, transmission distance: 20km, LC interface, support DDM function, support hot plug and pull.	PC
	ONV-2612-T	SFP optical module, 1.25G, single-mode single fiber TX1310nm/RX1550nm, transmission distance: 20km, LC interface, support DDM function, support hot plug and pull.	PC
	ONV-2613-R	SFP optical module, 1.25G, single-mode single fiber TX1550nm/RX1310nm, transmission distance: 20km, LC interface, support DDM function, support hot plug and pull.	PC
	ONV-2612-T-S C	SFP optical module, 1.25G, single-mode single fiber TX1310nm/RX1550nm, transmission distance: 20km, SC interface, support DDM function, support hot plug and pull.	PC
	ONV-2613-R-S C	SFP optical module, 1.25G, single-mode single fiber TX1550nm/RX1310nm, transmission distance: 20km, SC interface, support DDM function, support hot plug and pull.	PC
Electric Module	ONV-2633	1.25G SFP optical module transfers to 10/100/1000M RJ45 net port.	PC

**CONTACT US****OPTICAL NETWORK VIDEO TECHNOLOGIES (SHENZHEN) CO., LTD.**

Tel: 0086-755-33376606

Fax: 0086-755-33376608

Email: [onv@onv.com.cn](mailto:onv@onv.com.cn)Website: [www.onvcom.com](http://www.onvcom.com)

Zip: 518000

Headquarter Address: Room 1003, Block D, Terra Building, Futian district, Shenzhen, China

Factory Address: The 4-6th Floor, No. 59, HuaNing Road, Xinwei Community, Dalang Street, Longhua District, Shenzhen, China

