

## Product Datasheet

# 6-Port Full Gigabit PoE Fiber Switch

(ONV-POE33064PFG)



## OVERVIEW

The ONV-POE33064PFG is a full gigabit PoE fiber switch independently developed by ONV. It has 5\*10/100/1000M RJ45 ports and 1\*1000M SFP slot port. Port 1-4 can support IEEE802.3af/at standard PoE. single port PoE power reaches 30W, and the maximum PoE output power is 65W (at-110W). As a PoE power supply device, it can automatically detect and recognize the power receiving equipment that meets the standard and supply power through the network cable. It can supply power to POE terminal equipment such as wireless AP, webcam, VoIP, visual intelligent building intercom through network cable, and meet the network environment that needs high-density PoE power supply. It is suitable for hotel, campus, factory dormitory and small and medium-sized enterprises.

Unmanaged model, plug and play, no configuration, easy to use.

## FEATURE

### ■ Full gigabit access, gigabit TP/SFP port uplink

- ◇ All series supports "gigabit Ethernet port and gigabit SFP fiber port " combination, which enables users to flexibly build networking to meet the needs of various scenarios.
- ◇ Support non-blocking wire-speed forwarding.
- ◇ Support full-duplex based on IEEE802.3x and half-duplex based on backpressure.

### ■ Intelligent PoE power supply

- ◇ 4\*10/100/1000Base-T RJ45 ports, meeting the needs of security monitoring, teleconferencing system, wireless coverage, and other scenarios.
- ◇ IEEE802.3af/at PoE standard, without damaging non-PoE devices.
- ◇ Priority system for PoE port, it will supply power to the high priority level port first when the power budget is insufficient and avoid overwork of the device.

### ■ Stable and reliable, easy to operate

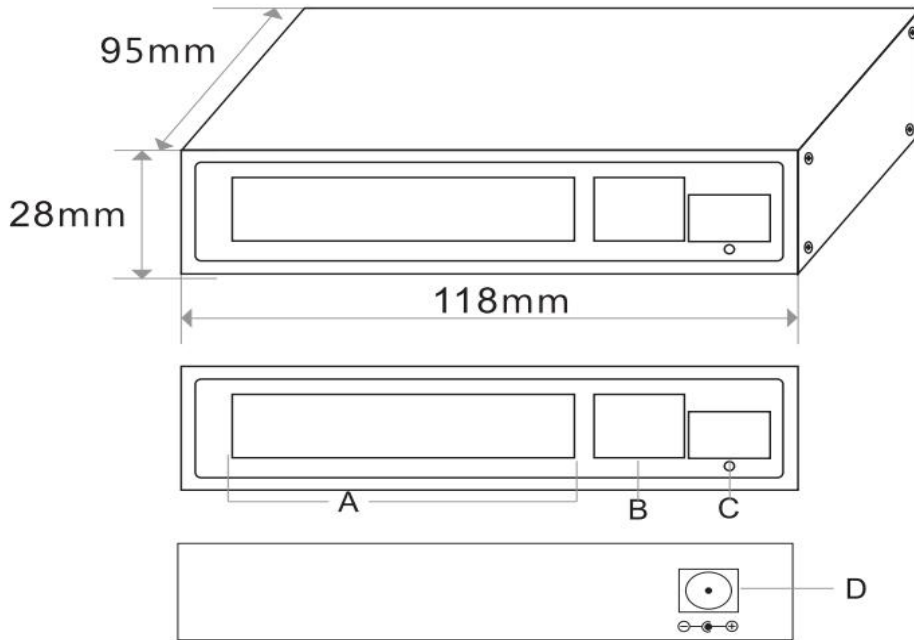
- ◇ CCC, CE, FCC, RoHS.
- ◇ Plug and play, no configuration, simple and convenient.
- ◇ Low power consumption, no fan mute design, galvanized steel metal casing.
- ◇ Self-developed power supply, high redundancy design, providing a long term and stable PoE power output.
- ◇ The user-friendly panel can show the device status through the LED indicator of PWR, Link, PoE.

## TECHNICAL SPECIFICATION

Model	ONV-POE33064PFG	ONV-POE33064PFG-at
<b>Interface Characteristics</b>		
Fixed Port	4*10/100/1000Base-T PoE ports(Data/Power) 1*10/100/1000Base-T uplink RJ45 port (Data) 1*1000Base-X SFP fiber port slots (Data)	
Ethernet Port	Port 1-5 can support 10/100/1000Base-T auto-sensing, full/half duplex MDI/MDI-X	
Twisted Pair Transmission	10BASE-T: Cat3,4,5 UTP(≤100 meter) 100BASE-TX: Cat5 or later UTP(≤100 meter) 1000BASE-T: Cat5e or later UTP(≤100 meter)	
SFP Slot Port	Gigabit SFP optical fiber port, default matching optical modules (optional order single-mode / multi-mode, single fiber / dual fiber optical module. LC)	
Optical Cable/ Distance	Multi-mode: 850nm/0 ~ 550M, Single-mode: 1310nm/ 0 ~ 40KM, 1550nm/ 0 ~ 120KM.	
<b>Chip Parameter</b>		
Network Protocol	IEEE802.3 10BASE-T, IEEE802.3i 10Base-T IEEE802.3u 100Base-TX, IEEE802.3ab 1000Base-T IEEE802.3z 1000Base-X, IEEE802.3x	
Forwarding Mode	Store and Forward(Full Wire Speed)	
Switching Capacity	12Gbps	
Forwarding Rate@64byte	8.93Mpps	
MAC	2K	
Buffer Memory	2M	
LED Indicator	Power: PWR (green), network: Link(yellow), POE: PoE (green)	
Reset Switch	Yes, One-button factory reset	

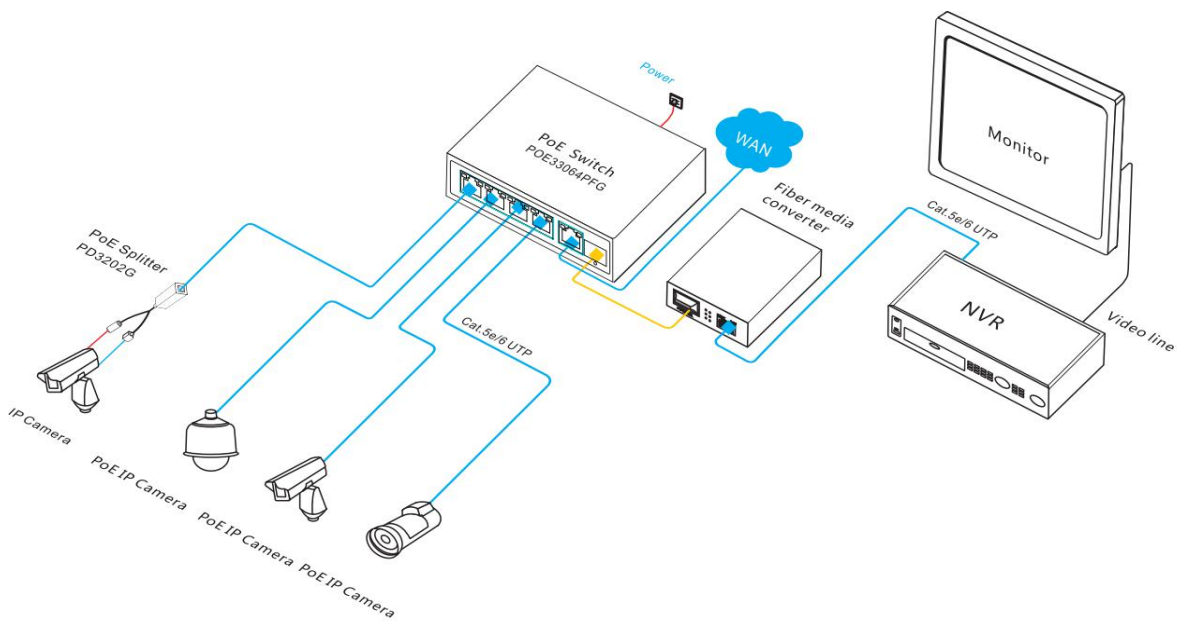
<b>PoE &amp; Power Supply</b>		
PoE Port	Port 1 to 4 IEEE802.3af/at @ POE	
Power Supply Pin	Default 1/2 (+), 3/6 (-), optional 4/5 (+), 7/8 (-)	
Max Power Per Port	30W; IEEE802.3af/at	
Total PWR / Input Voltage	65W/(DC52V)	110W/(DC52V)
Power Consumption	Standby<5W, Full load<65W	Standby<6W, Full load<110W
Power Supply	External power adapter, AC100~240V 50-60Hz 1.1A	External power adapter, AC100~240V 50-60Hz 2.0A
<b>Physical Parameter</b>		
Operation TEMP / Humidity	-20~+55°C;5%~90% RH Non condensing	
Storage TEMP / Humidity	-40~+75°C;5%~95% RH Non condensing	
Dimension (L*W*H)	118*95*28mm	
Net /Gross Weight	<0.35kg / <1.0kg	
Installation	Desktop, wall-mounted	
<b>Certification &amp; Warranty</b>		
Lightning protection / protection level	Lightning protection: 4KV 8/20us; Protection level: IP30	
Certification	CCC,CE mark, commercial, CE/LVD EN60950, FCC Part 15 Class B RoHS	
Warranty	3 years, lifelong maintenance.	

## DIMENSION



- A. 4\*10/100/1000M PoE Ports
- B. 1\*10/100/1000M Uplink Port
- C. 1\*1000M Uplink SFP Port
- D. Power Input Port DC48-57V

## APPLICATION



## ORDERING INFORMATION

Model	Description
ONV-POE33064PFG	Unmanaged PoE fiber switch with 5*10/100/1000M RJ45 ports and 1*1000M uplink SFP fiber slot port, port 1-4 can support IEEE802.3af/at PoE standard, External 65W power supply.
ONV-POE33064PFG-at	Unmanaged PoE fiber switch with 5*10/100/1000M RJ45 ports and 1*1000M uplink SFP fiber slot port, port 1-4 can support IEEE802.3af/at PoE standard, External 110W power supply.

**Note:** The SFP optical module is not included by default and needs to be purchased separately.

## PACKING LIST

	CONTENT	QTY	UNIT
PACKING LIST	6-port full gigabit PoE fiber switch	1	SET
	AC power cable+ power adapter	1	SET
	Mounting Kits (Hanging Ear)	1	SET
	User Guide	1	PC
	Warranty Card	1	PC

## OPTICAL MODULE INFORMATION

Product	Model	Description	Unit
1.25G Optical Module	ONV-2630	SFP optical module, 1.25G, multi mode dual fiber 850nm, transmission distance: 550m, LC interface, support DDM function, support hot plug and pull.	PC
	ONV-2632	SFP optical module, 1.25G, single-mode dual fiber 1310nm, transmission distance: 20km, LC interface, support DDM function, support hot plug and pull.	PC
	ONV-2612-T	SFP optical module, 1.25G, single-mode single fiber TX1310nm/RX1550nm, transmission distance: 20km, LC interface, support DDM function, support hot plug and pull.	PC
	ONV-2613-R	SFP optical module, 1.25G, single-mode single fiber TX1550nm/RX1310nm, transmission distance: 20km, LC interface, support DDM function, support hot plug and pull.	PC
	ONV-2612-T-SC	SFP optical module, 1.25G, single-mode single fiber TX1310nm/RX1550nm, transmission distance: 20km, SC interface, support DDM function, support hot plug and pull.	PC
	ONV-2613-R-SC	SFP optical module, 1.25G, single-mode single fiber TX1550nm/RX1310nm, transmission distance: 20km, SC interface, support DDM function, support hot plug and pull.	PC
Power Module	ONV-2633	1.25G SFP optical module transfers to 10/100/1000M RJ45 port.	PC

## CONTACT US

**ONV** OPTICAL NETWORK VIDEO TECHNOLOGIES (SHENZHEN) CO., LTD.

Tel: 0086-755-33376606

Fax: 0086-755-33376608

Email: [onv@onv.com.cn](mailto:onv@onv.com.cn)

Website: [www.onvcom.com](http://www.onvcom.com)

Zip: 518000

Headquarter Address: Room 1003, Block D, Terra Building, Futian District, Shenzhen, China

Factory Address: The 4-6th Floor, No. 59, Huaning Road, Xinwei Community, Dalang Street,  
Longhua District, Shenzhen, China

