

Product Datasheet

3-Port Gigabit PoE Switch

(ONV-POE33032PL)



OVERVIEW

The ONV-POE33032PL is a gigabit PoE switch independently developed by ONV. It has 3*10/100/1000M RJ45 ports. Port 1-2 can support IEEE802.3af/at standard PoE power supply, and single port PoE power reaches 30W. Adding a 10M/250-meter long-distance functional switch to the power supply port breaks through the twisted-pair transmission limit of 100 meters, effectively solving network transmission within 200 meters. As a PoE power supply device, it can automatically detect and recognize the power receiving equipment that meets the standard and supply power through the network cable. It can supply power to POE terminal equipment such as wireless AP, webcam, VoIP, visual intelligent building intercom through network cable, and meet the network environment that needs high-density PoE power supply. It is suitable for hotel, campus, factory dormitory and small and medium-sized enterprises.

Unmanaged model, plug and play, no configuration, easy to use.



FEATURE

■ Full Gigabit access, full wire speed forwarding

- ◇ Full wire-speed high-speed forwarding, which facilitates flexible networking of users and meets networking requirements in various scenarios
- ◇ Support non-blocking wire-speed forwarding.
- ◇ Support full-duplex based on IEEE802.3x and half-duplex based on backpressure.

■ Smart PoE power supply function

- ◇ 2*10/100/1000Base-T RJ45 ports support PoE, meeting the needs of security monitoring, teleconferencing system, wireless coverage, and other scenarios.
- ◇ IEEE802.3af/at PoE standard, without damaging non-PoE devices.
- ◇ Priority system for PoE port, it will supply power to the high priority level port first when the power budget is insufficient and avoid overwork of the device.



■ Stable and reliable

- ◇ CCC, CE, FCC, RoHS.
- ◇ Plug and play, no configuration, simple and convenient.
- ◇ Low power consumption, fan-less silent design, advanced ABS and PC flame-retardant plastic shell is exquisite and beautiful.
- ◇ Self-developed power supply, high redundancy design, providing a long term and stable PoE power output.
- ◇ The user-friendly panel can show the device status through the LED indicator of PWR, Link, PoE.

Mini PoE Switch

Mini body for easy transportation and cost-saving



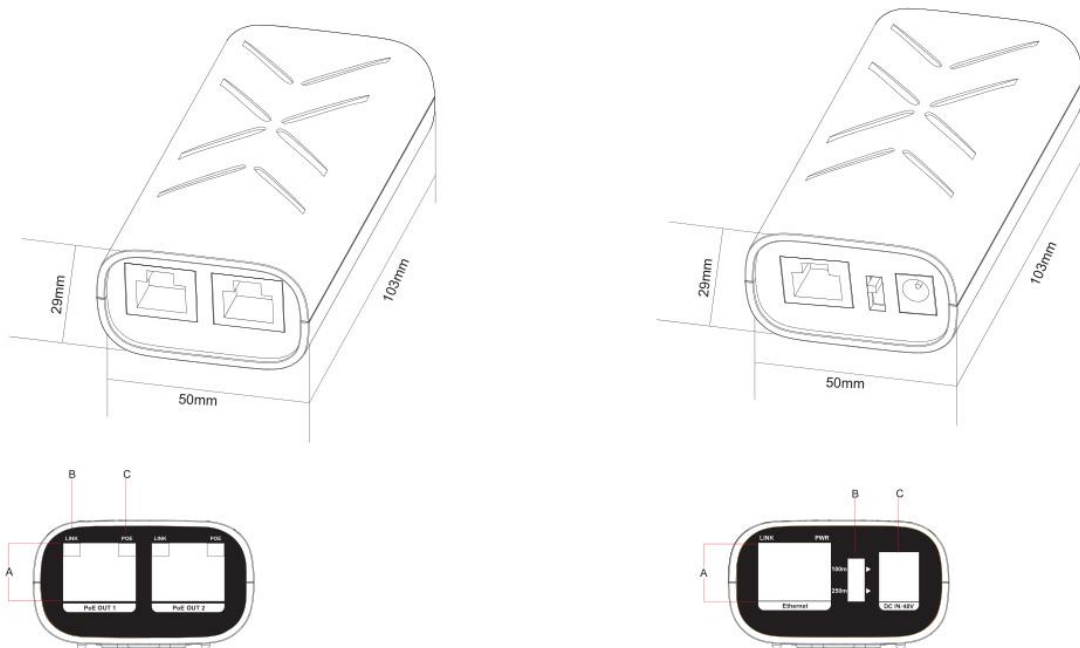
TECHNICAL SPECIFICATION

Model	ONV-POE33032PL
Interface Characteristics	
Fixed Port	2*10/100/1000Base-T PoE ports (Data/Power) 1*10/100/1000Base-T uplink RJ45 port (Data)
Ethernet Port	Port 1-3 support 10/100/1000Base-T, auto-sensing, Full/half duplex MDI/MDI-X self-adaption
Twisted Pair Transmission	10BASE-T: Cat3,4,5 UTP (≤100 meter) 100BASE-TX: Cat5 or later UTP (≤100 meter) 1000BASE-T: Cat5e or later UTP (≤100 meter)
Functional Switch	100m: 100m transmission, default

	250m: 250m transmission, default"OFF", enable "ON"
Chip Parameter	
Network Protocol	IEEE802.3 10BASE-T, IEEE802.3i 10Base-T IEEE802.3u 100Base-TX, IEEE802.3ab 1000Base-T, IEEE802.3x
Forwarding Mode	Store and Forward(Full Wire Speed)
Switching Capacity	12Gbps(non-blocking)
Forwarding Rate@64byte	4.46Mbps
MAC	2K
Buffer Memory	2M
Jumbo Frame	9.2K
LED Indicator	Power: PWR (green), Data: Link(yellow), POE: PoE (green)
PoE & Power Supply	
PoE Port	Port 1-2
Power Supply Pin	Default 1/2 (+), 3/6 (-)
Max Power Per Port	30W, IEEE802.3af/at
Total PWR / Input Voltage	48W (52V)
Power Consumption	Standby<4W, Full load<48W
Input Voltage and Interface	DC power supply, DC48-57V
Power Supply	External power adapter AC 100 ~ 240V 50-60Hz 1.0A
Physical Parameter	
Operation TEMP / Humidity	-20~+55°C, 5%~90% RH Non condensing
Storage TEMP / Humidity	-40~+75°C, 5%~95% RH Non condensing
Dimension (L*W*H)	103*50*29mm

Net /Gross Weight	<0.09kg /<0.18kg
Installation	Desktop, wall-mounted
Certification & Warranty	
Lightning Protection / Protection level	Port lightning protection: 4KV 8/20us, Protection level: IP30
Certification	CCC,CE mark, commercial; CE/LVD EN60950;FCC Part 15 Class B; RoHS
Warranty	3 years, lifelong maintenance.

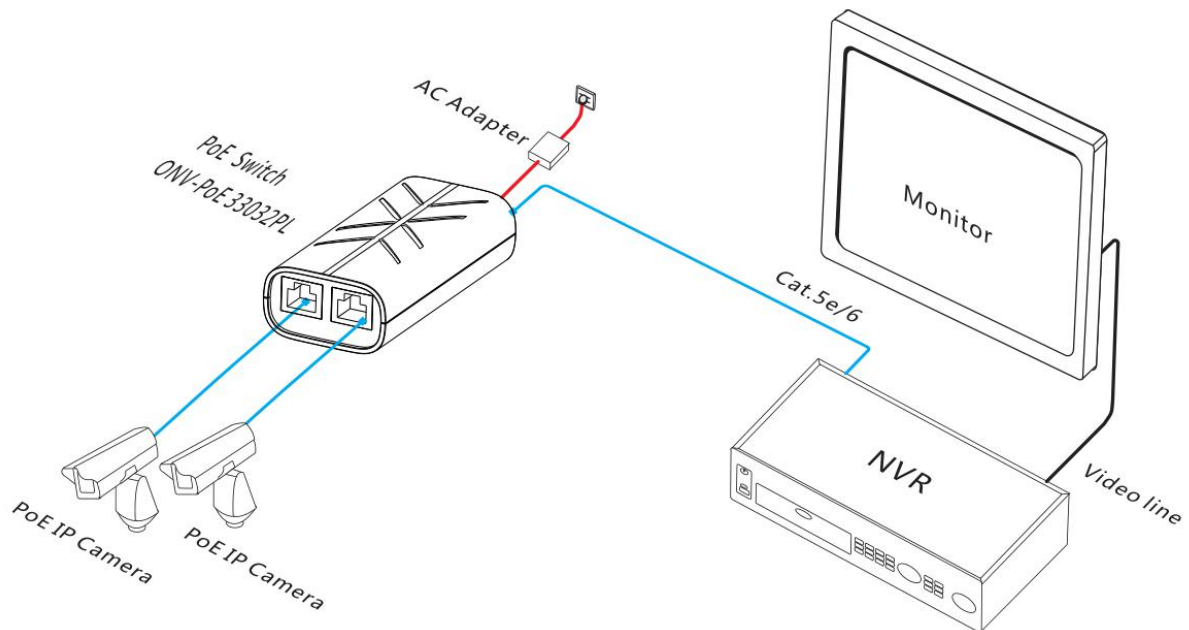
DIMENSION



A. PoE output port B. LINK indicator C. PoE working indicator

A. RJ45 port B. 250m function switch C. DC power input

APPLICATION



ORDERING INFORMATION

Model	Description	Power Adapter
ONV-POE33032PL	Unmanaged PoE switch with 2*10/100/1000M PoE ports and 1*10/100/1000M uplink RJ45 port, Port 1-2 can support IEEE802.3af/at PoE standard. External power adapter.	65W

PACKING LIST

PACKING LIST	CONTENT	QTY	UNIT
	3-port Gigabit PoE switch	1	SET
	AC Power Cable and Power Adapter	1	SET
	User Guide	1	PC
	Warranty Card	1	PC

CONTACT US

ONV OPTICAL NETWORK VIDEO TECHNOLOGIES (SHENZHEN) CO., LTD.

Tel: 0086-755-33376606

Fax: 0086-755-33376608

Email: onv@onv.com.cn

Website: www.onvcom.com

Zip: 518000

Headquarter Address: Room 1003, Block D, Terra Building, Futian District, Shenzhen, China

Factory Address: The 4-6th Floor, No. 59, HuaNing Road, Xinwei Community, Dalang Street,
Longhua District, Shenzhen, China

