

Product Datasheet

3-port 10/100M PoE Switch

(ONV-POE31032PL)



OVERVIEW

The ONV-POE31032PL is a 10/100M PoE switch independently developed by ONV. It has 3*10/100M RJ45 ports. Port 1-2 can support IEEE 802.3 af/at PoE standard, and single-port PoE power reaches 30W. Adding a 10M/250m functional switch to the PoE power port breaks through the twisted-pair transmission limit of 100 meters, effectively solving network transmission within 200 meters. A PoE power supply device can automatically detect and recognize the power-receiving equipment that meets the standard and supplies power through the network cable. It can supply power to POE terminal equipment such as wireless AP, IP camera, VoIP, and visual intelligent building intercom through the network cable, and meet the network environment that needs a high-density PoE power supply. It is suitable for hotels, campuses, factory dormitories, and small and medium-sized enterprises. Unmanaged model, plug and play, no configuration, easy to use.

FEATURE

■ Plug and play, full-line speed forwarding

- ◇ IEEE 802.3x full-duplex flow control and Backpressure half-duplex flow control.
- ◇ The port supports non-blocking line-speed forwarding and transmission for smoother transmission.
- ◇ Full-line speed, high-speed forwarding, convenient and flexible networking, meeting the networking needs of various scenarios.

■ Intelligent PoE power supply

- ◇ Comply with IEEE 802.3 af/at PoE power supply standard, automatically identify PoE equipment for power supply.
- ◇ 2*10/100Base-TX RJ45 ports support PoE power to meet the power supply needs of security monitoring, conference call systems, wireless coverage, and other scenarios.
- ◇ PoE ports support priority mechanism. When the remaining power is insufficient, priority is given to ensuring the power supply of high-priority ports to avoid equipment overload.

■ Stable and reliable

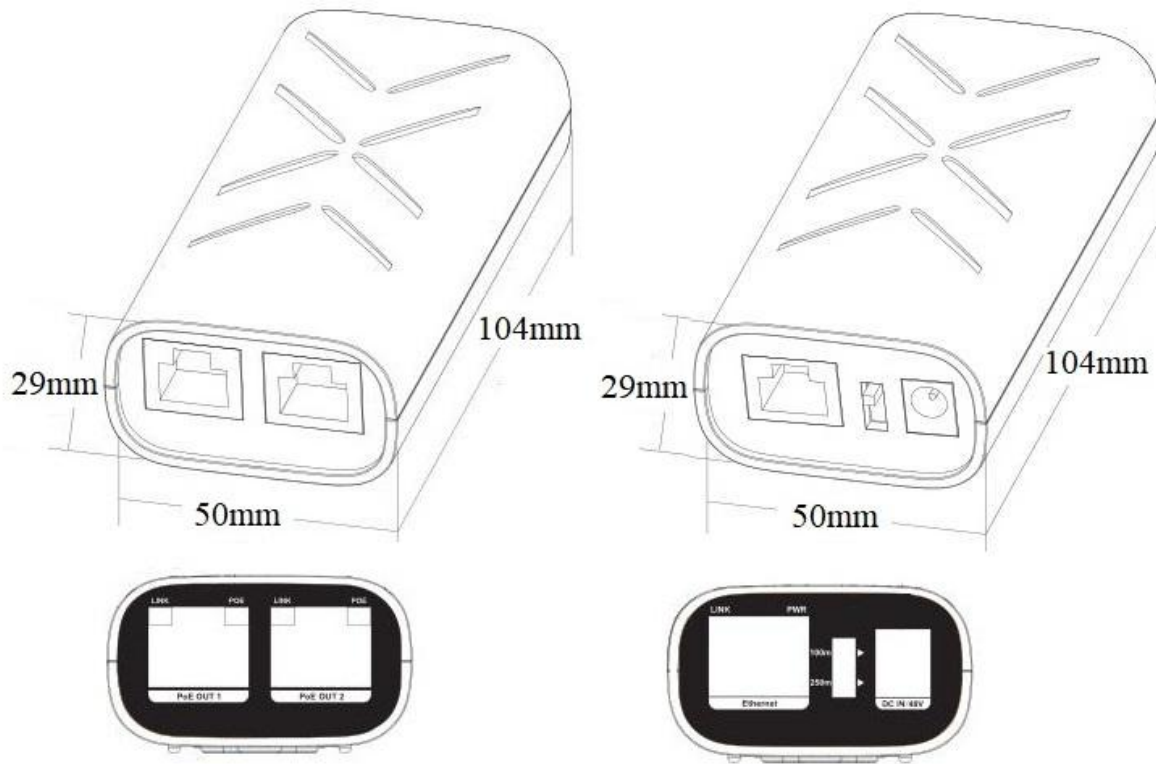
- ◇ CCC, CE, FCC, RoHS.
- ◇ Plug and play, no configuration, simple and convenient.
- ◇ The user-friendly panel can show the device status through the LED indicator of PWR, Link, PoE.
- ◇ Self-developed power supply, high redundancy design, providing a long term and stable PoE power output.
- ◇ Low power consumption, No fan, advanced ABS and PC flame-retardant plastic shell is exquisite and beautiful.

TECHNICAL SPECIFICATION

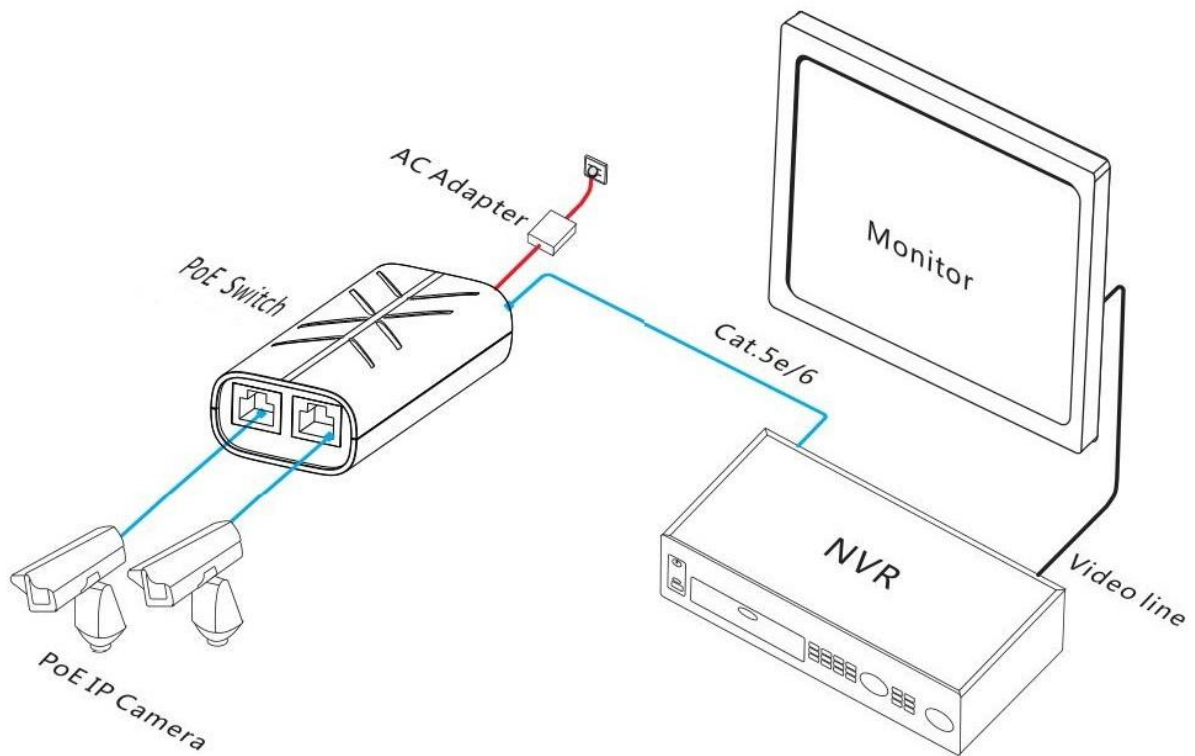
Model	ONV-POE31032PL	ONV-POE31032PL-at
Interface Characteristics		
Fixed Port	2*10/100Base-TX PoE ports (Data/Power) 1*10/100Base-TX uplink RJ45 port (Data)	
Ethernet Port	Port 1-3 support 10/100Base-TX auto-sensing, full/ half duplex MDI/ MDI-X self-adaption	
Twisted Pair	10BASE-T: Cat3,4,5 UTP(≤250 meters)	
Transmission	100BASE-TX: Cat5 or later UTP(≤100 meters)	
Functional Switch	100m: 100m transmission	
	250m: 250m transmission, default off, enable on	
Chip Parameter		
Network Protocol	IEEE802.3 10BASE-T, IEEE802.3i 10Base-T IEEE802.3u 100Base-TX, IEEE802.3x	
Forwarding Mode	Store and Forward(Full Wire Speed)	
Switching Capacity	1.0Gbps (Non-blocking)	
Forwarding Rate@64byte	0.45Mbps	
MAC	1K	
Buffer Memory	512K	
Jumbo Frame	1536byte	
LED Indicator	Power: PWR (Green), Data: Link (Yellow), POE: PoE (Green)	
PoE & Power Supply		
PoE Port	Port 1 to 2	
Power Supply Pin	1/2(+) 3/6 (-)	
Max Power Per Port	30W, IEEE 802.3 af/at	
Total PWR / Input	48W/ (DC52V)	65W/ (DC52V)

Voltage		
Power Consumption	Standby<3W, Full load<48W	Standby<4W, Full load<65W
Input Voltage and Interface	DC48-57V, DC5521 power terminal connection	
Power Supply	External power adapter, AC100-240V 50-60Hz 1.0A	External power adapter, AC100-240V 50-60Hz 1.1A
Physical Parameter		
Operation TEMP / Humidity	-20°C~+55°C, 5%~90% RH Non condensing	
Storage TEMP / Humidity	-40°C~+75°C, 5%~95% RH Non condensing	
Dimension (L*W*H)	104*50*29mm	
Net /Gross Weight	<0.08kg /<0.5kg	<0.09kg /<0.65kg
Installation	Desktop, wall mount	
Certification & Warranty		
Lightning Protection	Lightning protection: 4KV 8/20us, Protection level: IP30	
Certification	CCC, CE mark, commercial, CE/LVD EN62368-1, FCC Part 15 Class B, RoHS	
Warranty	3 years, lifelong maintenance.	

DIMENSION



APPLICATION



ORDERING INFORMATION

Model	Description	Power Adapter
ONV-POE31032PL	Unmanaged PoE switch with 2*10/100M PoE ports and 1*10/100M uplink RJ45 port. Port 1-2 can support IEEE 802.3 af/at PoE standard. External power adapter.	48W
ONV-POE31032PL-at		65W

PACKING LIST

Packing List	Content	Qty	Unit
	3-port 10/100M PoE switch	1	SET
	AC Power Cable and Power Adapter	1	SET
	User Guide	1	PC
	Warranty Card	1	PC

CONTACT US

ONV Optical Network Video Technologies (Shenzhen) Co., Ltd.

Tel: 0086-755-33376606

Fax: 0086-755-33376608

WeChat: ONV-PoE-IoT

Email: onv@onv.com.cn

Skype: onv@onv.com.cn

Website: www.onvcom.com

Headquarter Address: Room 1003, Block D, Terra Building, Futian District, Shenzhen, China

Factory Address: Floor 4-6, Building A, Senyutai Industrial Park, No. 111, Huaning Road, Xinshi

Community, Dalang Street, Longhua District, Shenzhen, China

