

Product Datasheet

27-port Full Gigabit PoE Switch

(ONV-H3024PFS)



OVERVIEW

The ONV-H3024PFS is a Gigabit PoE fiber switch independently developed by ONV. It has 26*10/100/1000Base-T RJ45 ports and 1*1000Base-X uplink SFP fiber port. Port 1-24 can support PoE+ standard, and single-port PoE power up to 30W. As a PoE power supply device, it can automatically detect and recognize the power-receiving equipment that meets the standard and supply power through the network cable. It can supply power to POE terminal equipment such as wireless AP, IP camera, VoIP phone, and building visual access control, intercom through a network cable, to meet the network environment that needs high-density PoE power supply, suitable for hotels, campuses, parks, supermarkets, scenic spots, factory quarters and SMB small and medium-sized enterprises form a cost-effective network. Unmanaged mode, plug, and play, no configuration, easy to use.

FEATURE

■ Full gigabit access, optical port uplink

- ◇ Support non-blocking wire-speed forwarding for smoother transmission.
- ◇ Support full-duplex based on IEEE802.3x and half-duplex based on Backpressure.

- ◇ Provide Ethernet ports and Gigabit SFP port uplink for flexible networking and meets the networking requirements of various scenarios.
- **Smart PoE power supply**
 - ◇ 24*10/100/1000Base-TX RJ45 ports support PoE power to meet the needs of PoE power in various scenarios in the security field.
 - ◇ Comply with PoE+ power supply standard, automatically identify PoE devices for power supply without damaging non-PoE devices, and the single port max PoE output power is 30W.
- **Stable and reliable, easy to use**
 - ◇ CCC, CE, FCC, RoHS.
 - ◇ Plug and play, no configuration, simple and convenient.
 - ◇ The user-friendly panel can show the device status through the LED indicator of PWR, Link, and PoE.
 - ◇ Self-developed power supply, high redundancy design, providing a long term and stable PoE power output.
 - ◇ Low power consumption, no fan, galvanized steel shell, excellent heat dissipation to ensure stable operation of the equipment.

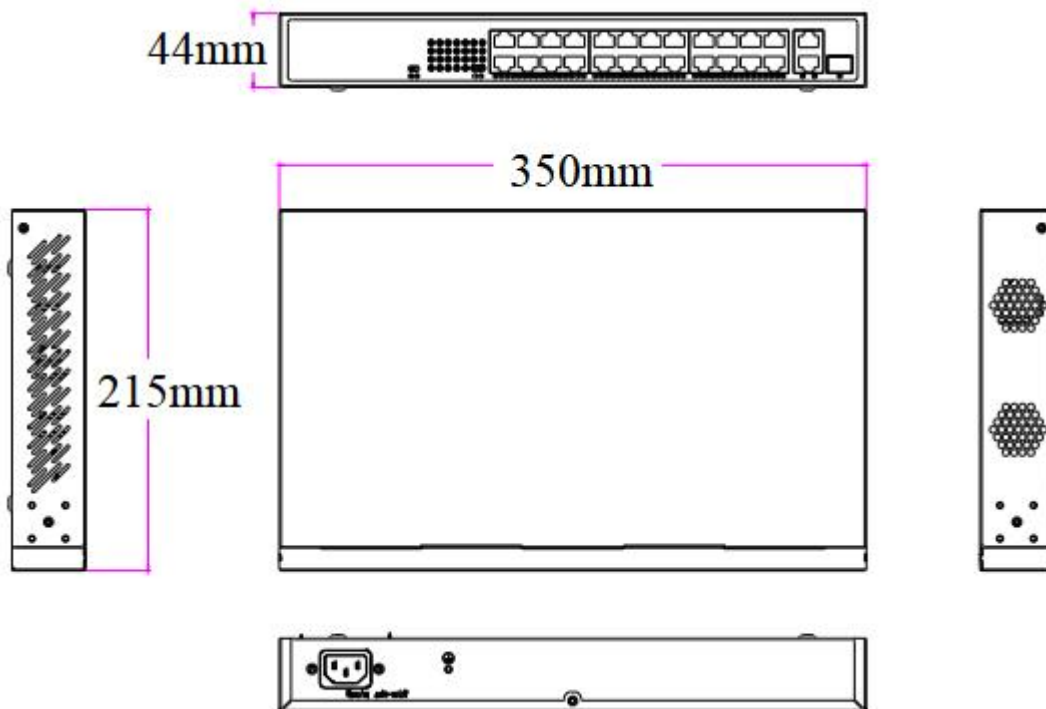
TECHNICAL SPECIFICATION

Model	ONV-H3024PFS
Interface Characteristics	
Fixed Port	1*1000Base-X uplink SFP fiber port (Data) 2*10/100/1000Base-T uplink RJ45 ports (Data) 24*10/100/1000Base-T PoE ports (Data/Power)
Ethernet Port	Port 1-26 can support 100/1000Base-T(X) auto-sensing, full/ half duplex MDI/ MDI-X self-adaption
Twisted Pair	10BASE-T: Cat3,4,5 UTP (≤100 meters)
Transmission	100BASE-TX: Cat5 or later UTP (≤100 meters)

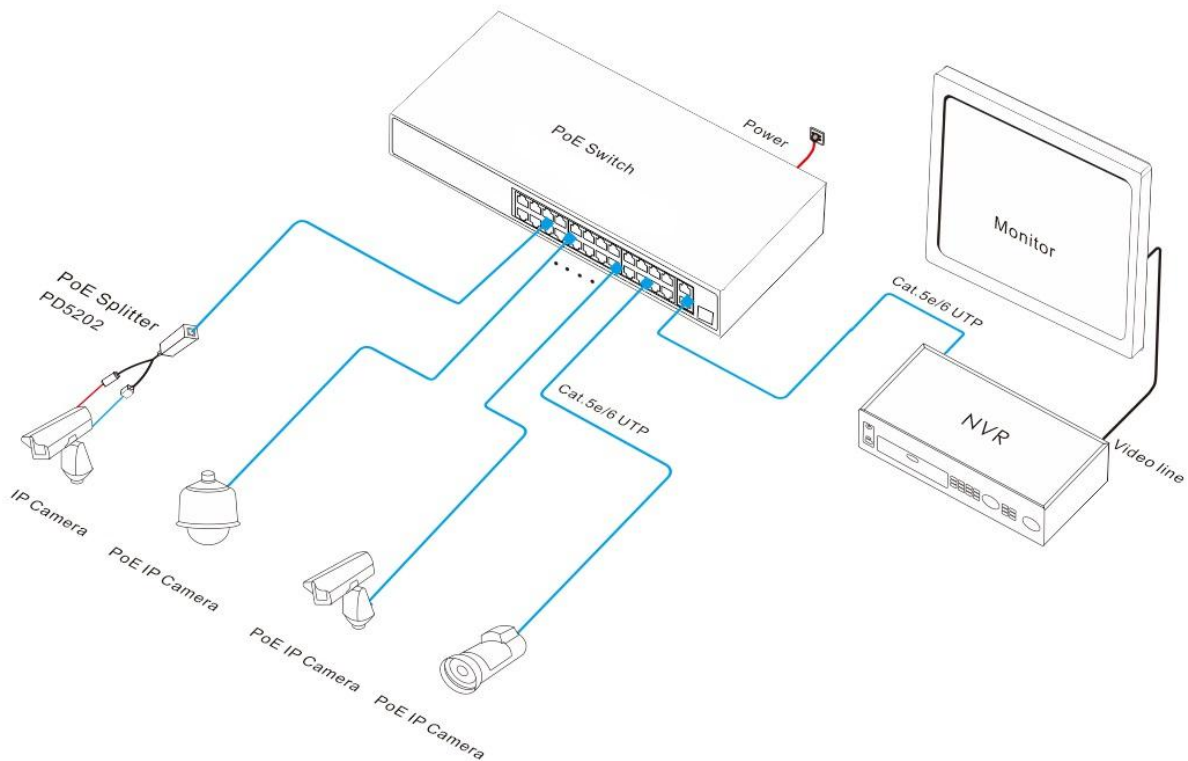
	1000BASE-T: Cat5e or later UTP (≤100 meters)
Optical Fiber Port	Gigabit optical fiber port, default no include optical module(optional single-mode / multi-mode, single fiber / dual fiber optical module. LC)
Optical Cable/ Distance	Multi-mode: 850nm/ 0-550m Single-mode: 1310nm/ 0-40km, 1550nm/ 0-120km
Chip Parameter	
Network Protocol	IEEE802.3 10BASE-T, IEEE802.3i 10Base-T, IEEE802.3u 100Base-TX IEEE802.3ab 1000Base-T, IEEE802.3z 1000Base-X, IEEE802.3x
Forwarding Mode	Store and Forward(Full Wire Speed)
Switching Capacity	54Gbps (Non-blocking)
Forwarding Rate@64byte	40.18Mpps
MAC	8K
Buffer Memory	4M
Jumbo Frame	9.2K
LED Indicator	Power: PWR (Green), Network: Link (Green), PoE: PoE (Red)
PoE & Power Supply	
PoE Port	Port 1 to 24
Power Supply Pin	1/2(+) 3/6(-)
Max Power Per Port	30W, PoE+
Total PWR / Input Voltage	250W/ (AC100-240V)
Power Consumption	Standby <8W, Full load <250W
Power Supply	Built-in power supply, AC100~240V 50-60Hz, 4.1A
Physical Parameter	
Operation TEMP / Humidity	-20~+55°C, 5%~90% RH Non condensing
Storage TEMP / Humidity	-40~+80°C, 5%~95% RH Non condensing

Dimension (L*W*H)	350*215*44mm
Net /Gross Weight	<2.0kg / <2.5kg
Installation	Desktop, Rack mounted
Certification & Warranty	
Lightning Protection	Lightning protection: 4KV 8/20us, Protection level: IP30
Certification	CCC, CE mark, commercial, CE/LVD EN62368-1, FCC Part 15 Class B, RoHS
Warranty	1 year, lifelong maintenance.

DIMENSION



APPLICATION



ORDERING INFORMATION

Model	Description	Power Supply
ONV-H3024PFS	Unmanaged PoE switch with 26*10/100/1000M RJ45 ports and 1*1000Base-X uplink SFP fiber port. Port 1-24 can support PoE+ standard and built-in power supply.	52V/250W

PACKING LIST

	Content	Qty	Unit
Packing List	27-port full Gigabit PoE switch	1	SET
	AC Power Line	1	PC
	User Guide	1	PC
	Warranty Card	1	PC

CONTACT US

ONV Optical Network Video Technologies (Shenzhen) Co., Ltd.

Tel: 0086-755-33376606

Fax: 0086-755-33376608

WeChat: ONV-PoE-IoT

Email: onv@onv.com.cn

Skype: onv@onv.com.cn

Website: www.onvcom.com

Headquarter Address: Room 1003, Block D, Terra Building, Futian District, Shenzhen, China

Factory Address: Floor 4-6, Building A, Senyutai Industrial Park, No. 111, Huaning Road, Xinshi

Community, Dalang Street, Longhua District, Shenzhen, China

