

Product Datasheet

10-port Full Gigabit PoE Switch

(ONV-H3108PS)



OVERVIEW

The ONV-H3108PS is a full gigabit unmanaged PoE switch independently developed by ONV. It has 10*10/100/1000Base-T RJ45 ports. Port 1-8 can support PoE+ power supply, and single-port PoE power up to 30W. As a PoE power supply device, it can automatically detect and recognize the power-receiving equipment that meets the standard and supply power through the network cable. It can supply power to POE terminal equipment such as wireless AP, IP camera, VoIP phone, video access control intercom, etc. through a network cable to meet the network environment that needs a high-density PoE power supply. It is suitable for hotels, campuses, factory quarters, and small and medium-sized enterprises to form an economy-efficient network. Unmanaged model, plug and play, no configuration, easy to use.

FEATURE

■ Full gigabit rate, dual RJ45 ports uplink

- ◇ Support IEEE 802.3x full-duplex flow control and Backpressure.
- ◇ Support non-blocking wire-speed forwarding for smoother transmission.
- ◇ Provides Gigabit Ethernet ports and dual RJ45 ports uplink for flexible networking and meets the networking requirements of various scenarios.

■ Smart PoE power supply

- ◇ 8*10/100/1000Base-T PoE ports can support PoE power to meet the needs of security monitoring, teleconferencing system, wireless coverage, and other scenarios.
- ◇ The PoE port supports the priority mechanism. When the remaining power is insufficient, the power of the high-priority port is given priority to avoid overloading of the device.
- ◇ Comply with PoE+ power supply standard, automatically identify PoE devices for power supply without damaging non-PoE devices, and the single port max PoE output power is 30W.

■ Stable and reliable, easy to use

- ◇ CCC, CE, FCC, RoHS.
- ◇ Plug and play, no configuration, simple and convenient.
- ◇ The user-friendly panel can show the device status through the LED indicator of PWR, Link, and PoE.
- ◇ Self-developed power supply, high redundancy design, providing a long term and stable PoE power output.
- ◇ Low power consumption, no fan, galvanized steel casing, excellent heat dissipation to ensure the stable operation of the switch.

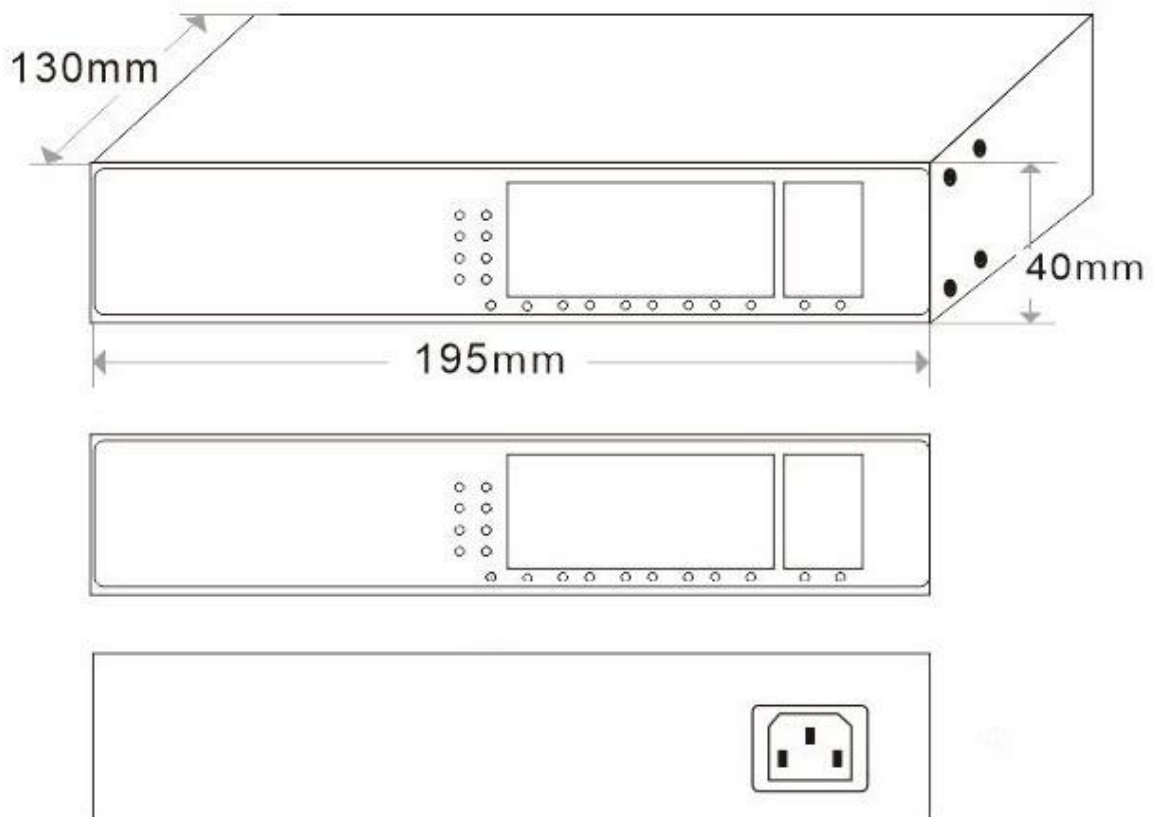
TECHNICAL SPECIFICATION

Model	ONV-H3064PS	ONV-H3108PS
Interface Characteristics		
Fixed Port	4*10/100/1000Base-T PoE ports (Data/Power) 2*10/100/1000Base-T uplink RJ45 ports (Data)	8*10/100/1000Base-T PoE ports (Data/Power) 2*10/100/1000Base-T uplink RJ45 ports (Data)
Ethernet Port	Port 1-6/ 1-10 support 10/100/1000Base-T auto-sensing, full/ half duplex MDI/ MDI-X self-adaption	
Twisted Pair Transmission	10BASE-T: Cat3, 4, 5 UTP (≤100 meters) 100BASE-TX: Cat5 or later UTP (≤100 meters) 1000BASE-T: Cat5e or later UTP (≤100 meters)	

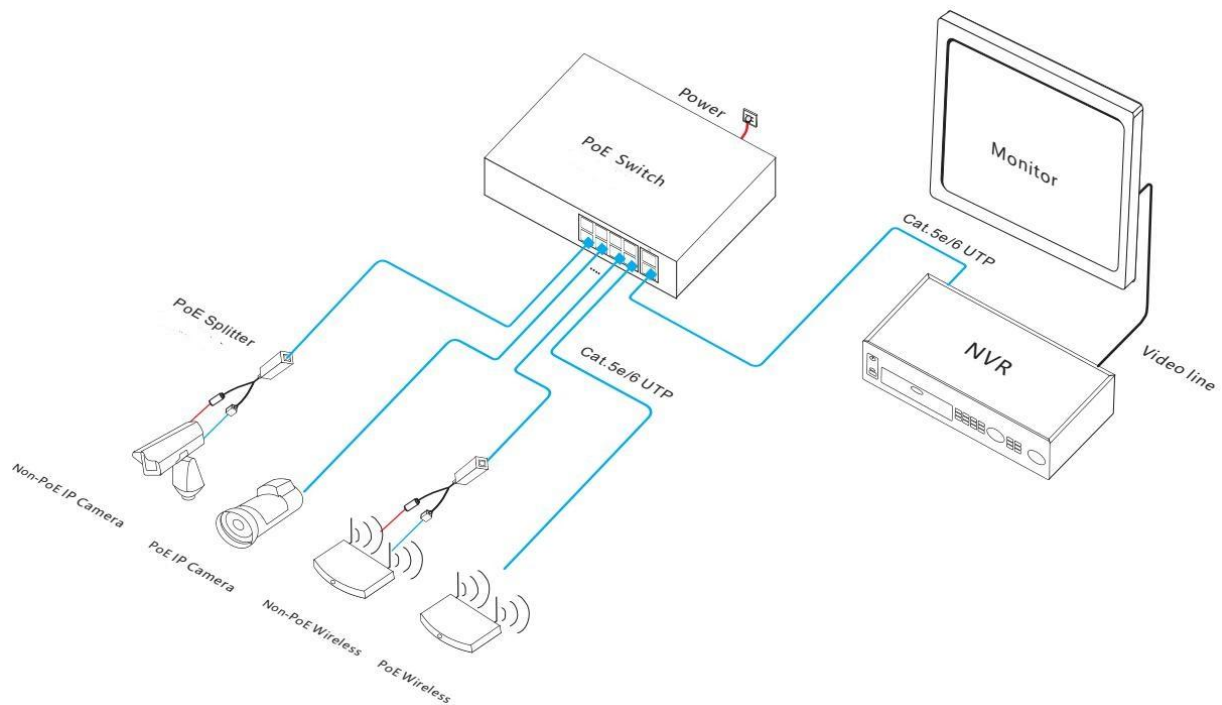
Chip Parameter		
Network Protocol	IEEE802.3 10BASE-T, IEEE802.3i 10Base-T IEEE802.3u 100Base-TX, IEEE802.3ab 1000Base-T, IEEE802.3x	
Forwarding Mode	Store and Forward(Full Wire Speed)	
Switching Capacity	16Gbps (Non-blocking)	20Gbps (Non-blocking)
Forwarding Rate@64byte	8.93Mpps	14.88Mpps
MAC	8K	2K
Buffer Memory	2M	
Jumbo Frame	9.2k	
LED Indicator	Power: PWR (Green), Network: Link (Green), PoE: PoE (Green)	
PoE & Power Supply		
PoE Port	Port 1 to 4	Port 1 to 8
Power Supply Pin	1/2(+) 3/6(-)	
Max Power Per Port	30W, PoE+	
Total PWR / Input Voltage	65W/ (AC100-240V)	100W/ (AC100-240V)
Power Consumption	Standby <5W, Full load <65W	Standby <6W, Full load <100W
Power Supply	Built-in power supply, AC100~240V 50-60Hz, 1.1A	Built-in power supply, AC100~240V 50-60Hz, 2.2A
Physical Parameter		
Operation TEMP / Humidity	-20°C~+55°C, 5%~90% RH Non condensing	
Storage TEMP / Humidity	-40°C~+75°C, 5%~95% RH Non condensing	
Dimension (L*W*H)	142*115*40mm	195*130*40mm
Net /Gross Weight	0.55kg / 0.8kg	0.75kg /1.0kg
Installation	Desktop, Wall mounted	
Certification & Warranty		

Lightning Protection	Lightning protection: 4KV 8/20us, Protection level: IP30
Certification	CCC, CE mark, commercial, CE/LVD EN62368-1, FCC Part 15 Class B, RoHS
Warranty	1 year, lifelong maintenance.

DIMENSION



APPLICATION



ORDERING INFORMATION

Model	Description
ONV-H3064PS	Unmanaged PoE switch with 6*10/100/1000M RJ45 ports. Port 1-4 can support PoE+ power supply. Built-in 65W power supply.
ONV-H3108PS	Unmanaged PoE switch with 10*10/100/1000M RJ45 ports. Port 1-8 can support PoE+ power supply. Built-in 100W power supply.

PACKING LIST

	CONTENT	QTY	UNIT
Packing List	10-port full gigabit PoE switch	1	SET
	AC Power Line	1	PC
	User Guide	1	PC
	Warranty Card	1	PC

CONTACT US

ONV Optical Network Video Technologies (Shenzhen) Co., Ltd.

Tel: 0086-755-33376606

Fax: 0086-755-33376608

WeChat: ONV-PoE-IoT

Email: onv@onv.com.cn

Skype: onv@onv.com.cn

Website: www.onvcom.com

Headquarter Address: Room 1003, Block D, Terra Building, Futian District, Shenzhen, China

Factory Address: Floor 4-6, Building A, Senyutai Industrial Park, No. 111, Huaning Road, Xinshi

Community, Dalang Street, Longhua District, Shenzhen, China

