

Product Datasheet

27-port Gigabit Uplink PoE Switch

(ONV-H1024PFD)



OVERVIEW

The ONV-H1024PFD is a smart PoE fiber switch independently developed by ONV. It has 24*10/100Base-TX RJ45 ports and 2*10/100/1000Base-T uplink RJ45 ports and 1*1000Base-X uplink SFP fiber port. Port 1-24 can support PoE+ power supply, and single-port PoE power up to 30W. As a PoE power supply device, it can automatically detect and recognize the power-receiving equipment that meets the standard and supply power through the network cable. It can supply power to PoE terminal equipment such as wireless AP, IP camera, VoIP phone, video access control intercom, etc. through a network cable to meet the network environment that needs a high-density PoE power supply. It is suitable for hotels, campuses, factory quarters, and small and medium-sized enterprises to form an economy-efficient network. Unmanaged mode, plug and play, no configuration, easy to use.

FEATURE

■ 10/100M access, Gigabit optical port uplink

- ◇ Support non-blocking wire-speed forwarding for smoother transmission.
- ◇ Support IEEE 802.3x full-duplex flow control and Backpressure half-duplex flow control.
- ◇ Provide Ethernet ports and Gigabit SFP port uplink for flexible networking and meets the networking requirements of various scenarios.

■ Smart PoE power supply

- ◇ 24*10/100Base-TX RJ45 ports support PoE power to meet the needs of PoE power in various scenarios in the security field.
- ◇ Comply with PoE+ power standard, automatically identify PoE devices for power without damaging non-PoE devices, and the single port max PoE output power is 30W.

■ Stable and reliable, easy to use

- ◇ CCC, CE, FCC, RoHS.
- ◇ Plug and play, no configuration, simple and convenient.
- ◇ The user-friendly panel can show the device status through the LED indicator of PWR, Link, and PoE.
- ◇ Self-developed power supply, high redundancy design, providing a long term and stable PoE power output.
- ◇ Low power consumption, no fan, galvanized steel casing, excellent heat dissipation to ensure the stable operation of the switch.

■ Innovative function

- ◇ **Function switch (100/250m)** switch to ON position (default off), the port 17 to 24 rate is 10M, and the PoE watchdog function is turned on at the same time to monitor and automatically restart the communication failure PoE port. Using the existing twisted pair can break through the 100 meters transmission limit, and the transmission distance can be up to 250 meters. At the same time, it can solve the problem of poor transmission caused by aging lines.

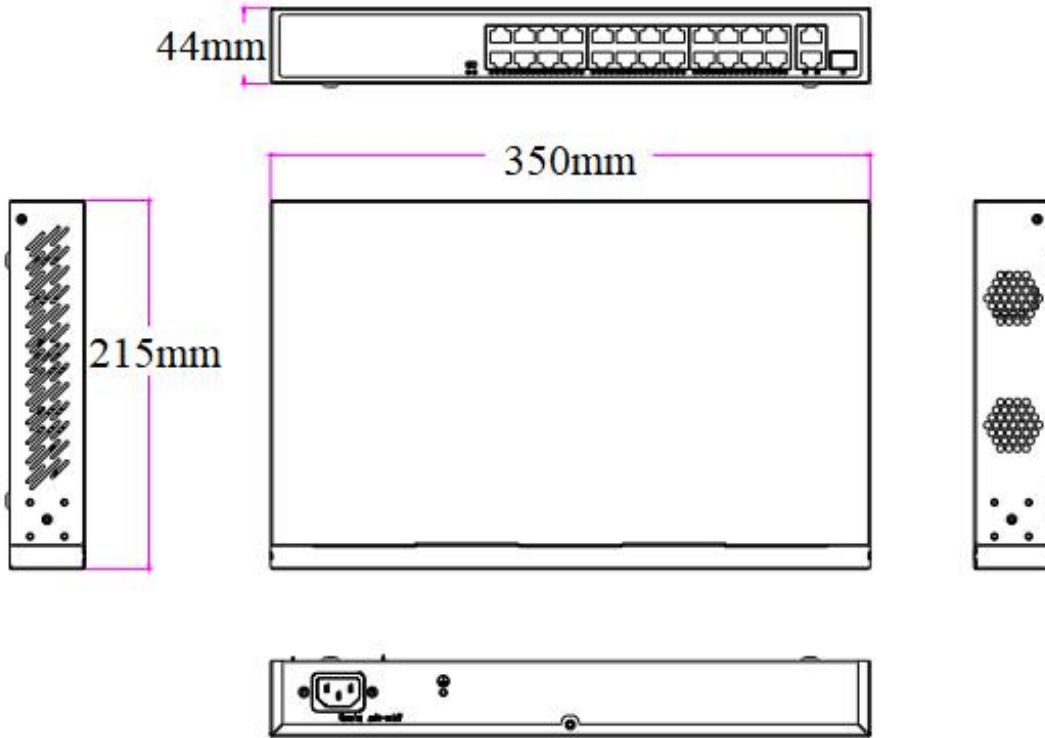
TECHNICAL SPECIFICATION

Model	ONV-H1016PFD	ONV-H1024PFD
Interface Characteristics		
Fixed Port	16*10/100Base-T PoE ports (Data/Power) 2*10/100/1000Base-T uplink RJ45 ports (Data)	24*10/100Base-T PoE ports (Data/Power) 2*10/100/1000Base-T uplink RJ45 ports (Data)

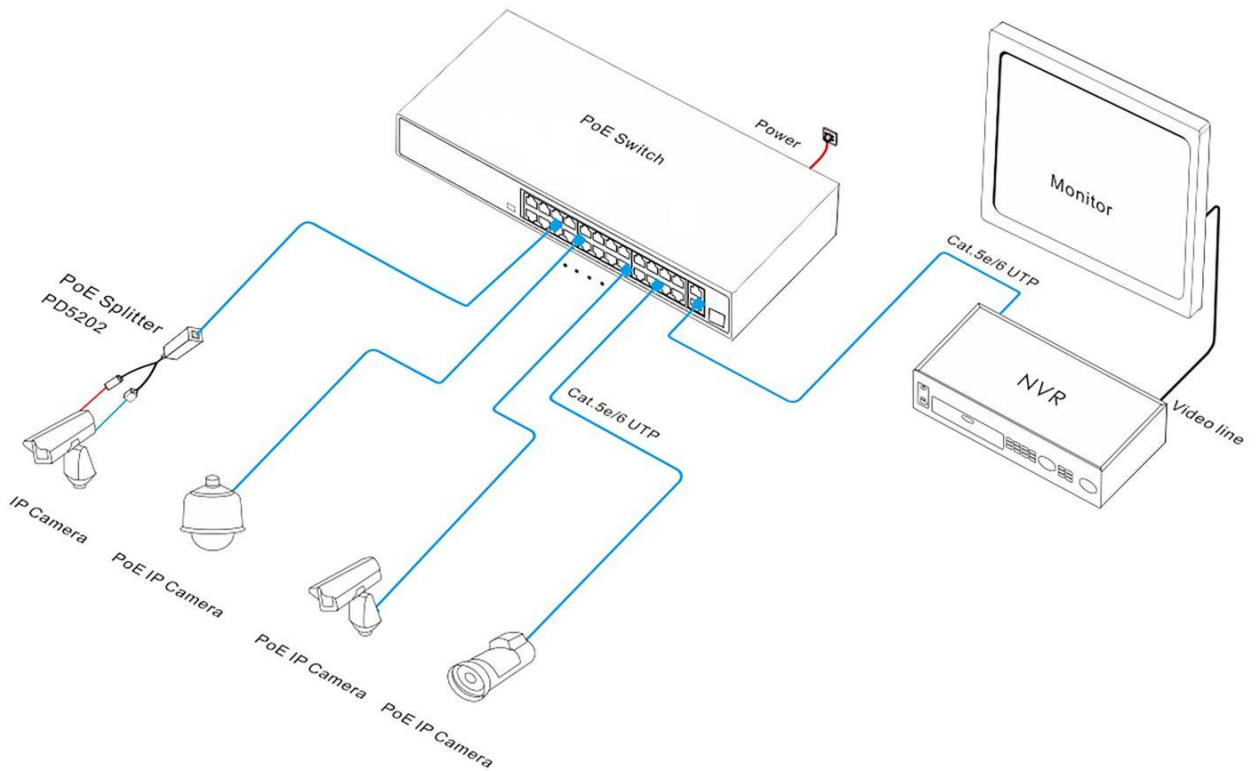
	1*1000Base-X uplink SFP fiber port (Data)	1*1000Base-X uplink SFP fiber port (Data)
Ethernet Port	Port 1-16/ 1-24 support 10/100Base-T(X) and port 17-18/ 25-26 support 1000Base-T auto-sensing, full/ half duplex MDI/ MDI-X self-adaption	
Twisted Pair Transmission	10BASE-T: Cat3,4,5 UTP (≤250 meters) 100BASE-TX: Cat5 or later UTP (≤100 meters) 1000BASE-T: Cat5e or later UTP (≤100 meters)	
Optical Fiber Port	Gigabit optical fiber port, default no include optical module (optional single-mode/ multi-mode, single fiber/ dual fiber optical module. LC)	
Optical Cable/ Distance	Multi-mode: 850nm/ 0-550m Single-mode: 1310nm/ 0-40km, 1550nm/ 0-120km	
Functional Switch	Function switch (100/250m) Default: off, use:on, After opening, port 9-16/ 17-24 support 10M/250m transmission and PoE watchdog function	
Chip Parameter		
Network Protocol	IEEE802.3 10BASE-T, IEEE802.3i 10Base-T, IEEE802.3u 100Base-TX IEEE802.3ab 1000Base-T, IEEE802.3z 1000Base-X, IEEE802.3x	
Forwarding Mode	Store and Forward(Full Wire Speed)	
Switching Capacity	9.2Gbps (Non-blocking)	10.8Gbps (Non-blocking)
Forwarding Rate@64byte	6.84Mpps	8.04Mpps
MAC	2K	2K
Buffer Memory	2.75M	
Jumbo Frame	9.2K	
LED Indicator	Power: PWR (Green), Network: Link (Green) PoE: PoE (Red), Functional switch: 100/250m (Green)	
PoE & Power Supply		
PoE Port	Port 1-16	Port 1-24
Power Supply Pin	1/2(+) 3/6(-)	
Max Power Per Port	30W, PoE+	

Total PWR / Input Voltage	160W/ (AC100-240V)	250W/ (AC100-240V)
Power Consumption	Standby <5W, Full load <160W	Standby <8W, Full load <250W
Power Supply	Built-in power supply, AC100~240V 50-60Hz, 3.0A	Built-in power supply, AC100~240V 50-60Hz, 4.1A
Physical Parameter		
Operation TEMP / Humidity	-20~+55°C, 5%~90% RH Non condensing	
Storage TEMP / Humidity	-40~+80°C, 5%~95% RH Non condensing	
Dimension (L*W*H)	350*215*44mm	
Net /Gross Weight	1.9kg / 2.2kg	1.9kg / 2.4kg
Installation	Desktop, Rack mounted	
Certification & Warranty		
Lightning Protection	Lightning protection: 4KV 8/20us, Protection level: IP30	
Certification	CCC, CE mark, commercial, CE/LVD EN62368-1, FCC Part 15 Class B, RoHS	
Warranty	1 year, lifelong maintenance.	

DIMENSION



APPLICATION



ORDERING INFORMATION

Model	Description	Power Supply
ONV-H1016PFD	Unmanaged PoE switch with 16*10/100M RJ45 ports and 2*10/100/1000M Base-T uplink RJ45 ports and 1*1000Base-X uplink SFP fiber port. Port 1-16 can support PoE+ power supply. PoE watchdog function is turned on by default. switch the functional switch (250m), port 9-16 rate is 10M/250m transmission and built-in power supply.	52V/160W
ONV-H1024PFD	Unmanaged PoE switch with 24*10/100M RJ45 ports and 2*10/100/1000M Base-T uplink RJ45 ports and 1*1000Base-X uplink SFP fiber port. Port 1-24 can support PoE+ power supply. PoE watchdog function is turned on by default. switch the functional switch (250m), port 17-24 rate is 10M/250m transmission and built-in power supply.	52V/250W

PACKING LIST

	Content	Qty	Unit
Packing List	27-port Gigabit uplink PoE switch	1	SET
	AC Power Line	1	PC
	User Guide	1	PC
	Warranty Card	1	PC

CONTACT US



Optical Network Video Technologies (Shenzhen) Co., Ltd.

Tel: 0086-755-33376606

Fax: 0086-755-33376608

WeChat: ONV-PoE-IoT

Email: onv@onv.com.cn

Skype: onv@onv.com.cn

Website: www.onvcom.com

Headquarter Address: Room 1003, Block D, Terra Building, Futian District, Shenzhen, China

Factory Address: Floor 4-6, Building A, Senyutai Industrial Park, No. 111, Huaning Road, Xinshi Community, Dalang Street, Longhua District, Shenzhen, China

