

## Product Datasheet

# Single-port Gigabit BT PoE Injector

(ONV-PSE3501G)



## OVERVIEW

The ONV-PSE3501G is a BT PoE injector independently developed by ONV. It has 1\*10/100/1000M BT PoE port and 1\*10/100/1000M auto-sensing uplink RJ45 port. It supports IEEE 802.3bt and is backward compatible with IEEE 802.3af/at PoE standards. The single-port PoE power output is up to 90W. As a PoE power supply device, it can automatically detect and identify compliant powered devices and supply power via a network cable. It can power high-power wireless APs, PoE network PTZ cameras, PoE speakers, PoE lighting, and other high-power PoE terminal devices via network cable, meeting the needs of network environments requiring high PoE power. It is suitable for hotels, campuses, industrial parks, tourist attractions, shopping malls, factory dormitories, and small and medium-sized enterprises to build cost-effective networks.

## FEATURE

- 1 input and 1 output network port arrangement

- ◇ Support non-blocking wire-speed forwarding.
- ◇ Using 1 in 1 out (down in and up out) connection mode, 1\*10/100/1000M RJ45 port, convenient connection, and simple maintenance.

#### ■ Smart PoE power supply

- ◇ 1\*10/100/1000Base-T RJ45 port supports bt PoE, meeting the needs of ultra-high power PoE power supply in various scenarios.
- ◇ The maximum output power of single-port PoE is 90W, and backward compatible with the IEEE802.3af/at PoE standard. It automatically recognizes PoE devices for power supply without damaging non-PoE devices.

#### ■ Stable and reliable

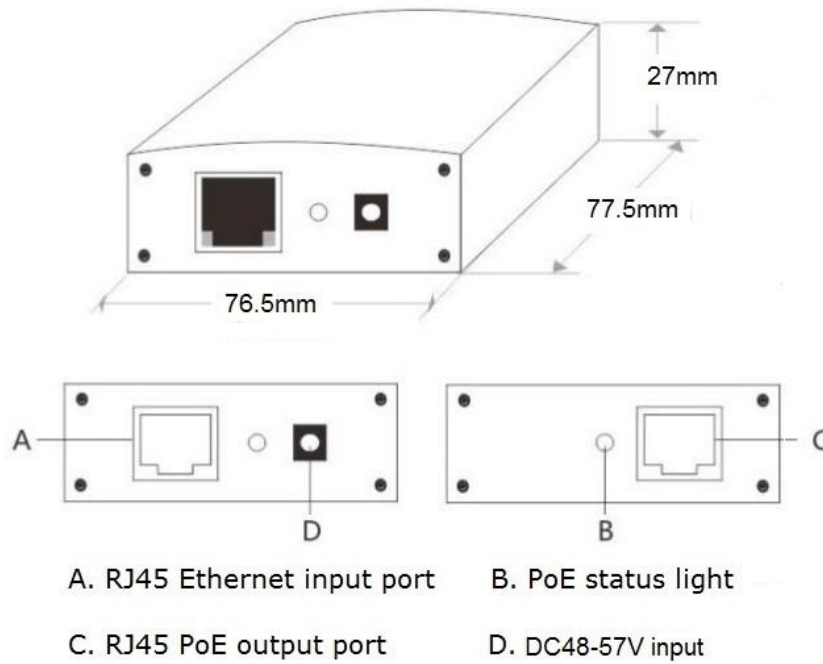
- ◇ CE, FCC, RoHS.
- ◇ Support desktop and wall-mounted installation.
- ◇ Plug and play, no configuration, simple and convenient.
- ◇ The user-friendly panel can show the device status through the LED indicators of PWR and PoE.
- ◇ Self-developed power supply, high-redundancy design, providing a long-term and stable PoE power output.
- ◇ Low power consumption, silent fan, active heat dissipation design, and metal casing to ensure stable operation of the equipment.

## TECHNICAL SPECIFICATION

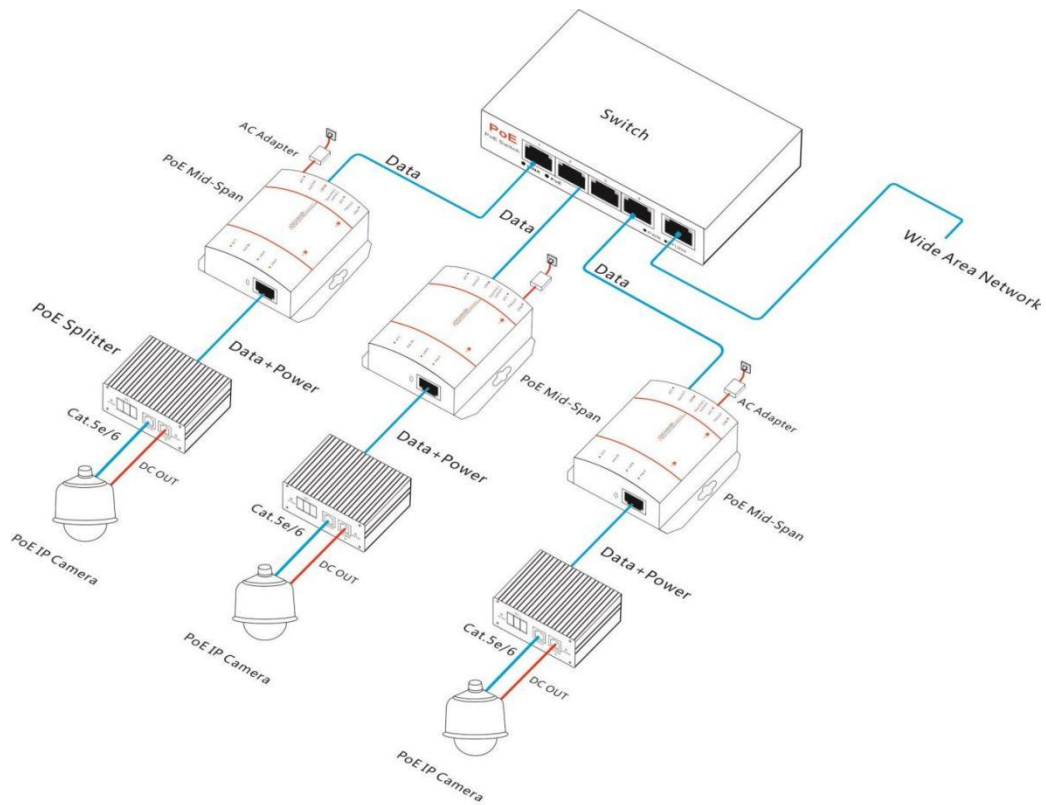
Model	ONV-PSE3501G
<b>Interface Characteristics</b>	
Fixed Port	1*DC5521 power connector 1*10/100/1000M uplink RJ45 port (Data) 1*10/100/1000M bt PoE port (Data/Power)
Ethernet Port	10/100/1000Base-T(X) auto-detection, full/ half duplex MDI/ MDI-X

	adaptive
Twisted Pair Transmission	10BASE-T: Cat3,4,5 UTP(≤100 meters) 100BASE-TX: Cat5 or later UTP(≤100 meters) 1000BASE-T: Cat5e or later UTP(≤100 meters)
Network Protocol	IEEE802.3 10BASE-T, IEEE802.3i 10Base-T, IEEE802.3u 100Base-TX IEEE802.3u 1000Base-T, IEEE802.3z 1000Base-X, IEEE802.3x
LED Indicator	Power: PWR (Green), PoE: PoE (Green)
<b>PoE&amp; Power Supply</b>	
PoE Port	Port 1 support bt PoE and backward compatible with IEEE802.3af/at
Power Supply Pin	1/2(+)/3/6(-) 4/5 (+) 7/8 (-)
Max Power Per Port	90W, IEEE802.3af/at/bt
Total PWR/ Input Voltage	110W/52VDC
Power Consumption	Standby<5W, full load<110W
Power Supply	External power supply, DC input voltage: DC48-57V
<b>Physical Parameter</b>	
Operation TEMP/ Humidity	-20°C~+55°C, 5%~90% RH non-condensing
Storage TEMP/ Humidity	-40°C~+80°C, 5%~95% RH non-condensing
Dimension (L*W*H)	77.5*76.5*27mm
Net /Gross Weight	0.15kg/0.4kg
Installation	Desktop, Wall mounted
<b>Certification&amp; Warranty</b>	
Lightning Protection	4KV 8/20us, Protection level: IP30
Certification	CE mark, commercial, CE/LVD EN62368-1, FCC Part 15, RoHS
Warranty	3 years, lifelong maintenance.

## DIMENSION



## APPLICATION



## ORDERING INFORMATION

Model	Description	External Power Supply
ONV-PSE3501G	BT PoE injector with 1*10/100/1000M BT PoE port and 1*10/100/1000M RJ45 port. It complies with the IEEE 802.3af/at/bt PoE standard, and the single port maximum PoE power output is 90W. External power supply.	110W

## PACKING LIST

Packing List	Content	Qty	Unit
	Single-port Gigabit BT PoE injector	1	PC
	User Guide	1	PC
	Warranty Card and Certificate of Conformity	1	PC

## RELATED PRODUCT

Model	Description
ONV-PSE3401G	BT PoE injector with 1*10/100/1000M BT PoE port and 1*10/100/1000M RJ45 port. It complies with the IEEE 802.3af/at/bt PoE standard, and the single port maximum PoE power output is 60W. External 65W power supply.

## CONTACT US



Optical Network Video Technologies (Shenzhen) Co., Ltd.

Tel: 0086-755-33376606

Fax: 0086-755-33376608

Email: [onv@onv.com.cn](mailto:onv@onv.com.cn)

Skype: [onv@onv.com.cn](https://www.skype.com/people/onv@onv.com.cn)

WeChat ID: ONV-PoE-IoT

Website: [www.onvcom.com](http://www.onvcom.com)

Headquarter Address: Room 1003, Block D, Terra Building, Futian District, Shenzhen

Factory Address: Building B3, Galaxy Artificial Intelligence Industrial Park, No. 333, Zhongkai 6th Road, Chenjiang Street, Zhongkai High-tech Zone, Huizhou

