

Product Datasheet

Single-port Gigabit BT PoE Injector

(ONV-PSE3401G)



OVERVIEW

The ONV-PSE3401G is a BT PoE injector independently developed by ONV. It has 1*10/100/1000M RJ45 port, supports IEEE 802.3bt, and is backward compatible with the IEEE 802.3 af/at PoE standard. A single port delivers up to 60W of PoE power. As a PoE power supply device, it automatically detects and identifies compliant powered devices and supplies them via Ethernet cable. It can power wireless APs, network cameras, VoIP phones, video intercoms, and other PoE terminal devices, meeting the needs of network environments requiring high-density PoE power. It is suitable for hotels, campuses, industrial parks, tourist attractions, shopping malls, factory dormitories, and small and medium-sized enterprises to build cost-effective networks. Plug-and-play, no configuration, simple and convenient to use.

FEATURE

■ 1 in 1 out of the Ethernet port arrangement

- ◇ Support non-blocking wire-speed forwarding.
- ◇ Using 1 in 1 out (down in and up out) connection mode, 1*10/100/1000M RJ45 port,

convenient connection, and simple maintenance.

■ Smart PoE power supply

- ◇ 1*10/100/1000Base-T RJ45 port supports BT PoE, meeting the needs of ultra-high power PoE power supply in various scenarios.
- ◇ The max output power of single-port PoE is 60W, and backward compatible with the IEEE 802.3 af/at PoE standard. It automatically recognizes PoE devices for power supply without damaging non-PoE devices.

■ Stable and reliable

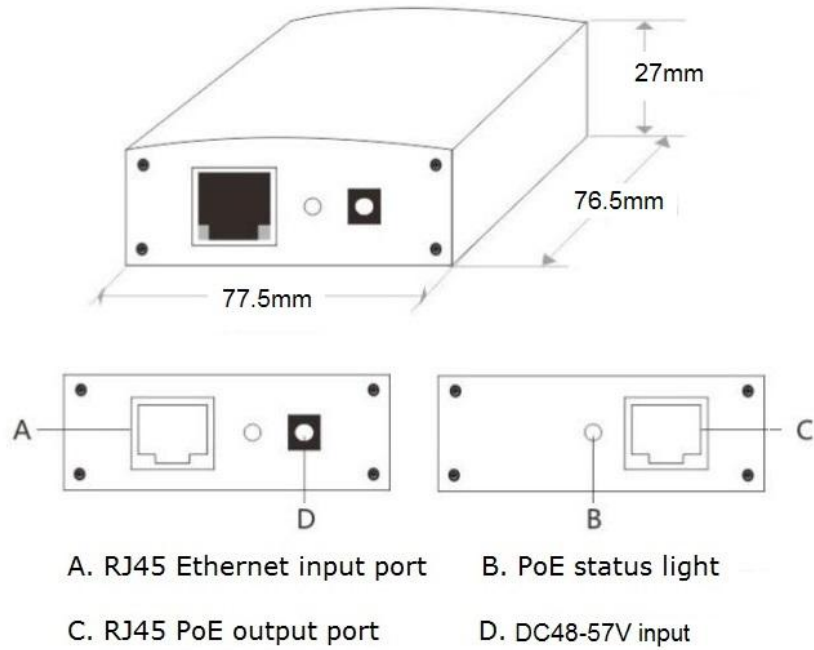
- ◇ CE, FCC, RoHS.
- ◇ Support desktop and wall-mounted installation.
- ◇ Plug and play, no configuration, simple and convenient.
- ◇ The user-friendly panel can show the device status through the LED indicators of PWR and PoE.
- ◇ Self-developed power supply, high redundancy design, providing a long-term and stable PoE power output.
- ◇ Low power consumption, silent fan, active heat dissipation, metal casing to ensure stable operation of the equipment.

TECHNICAL SPECIFICATION

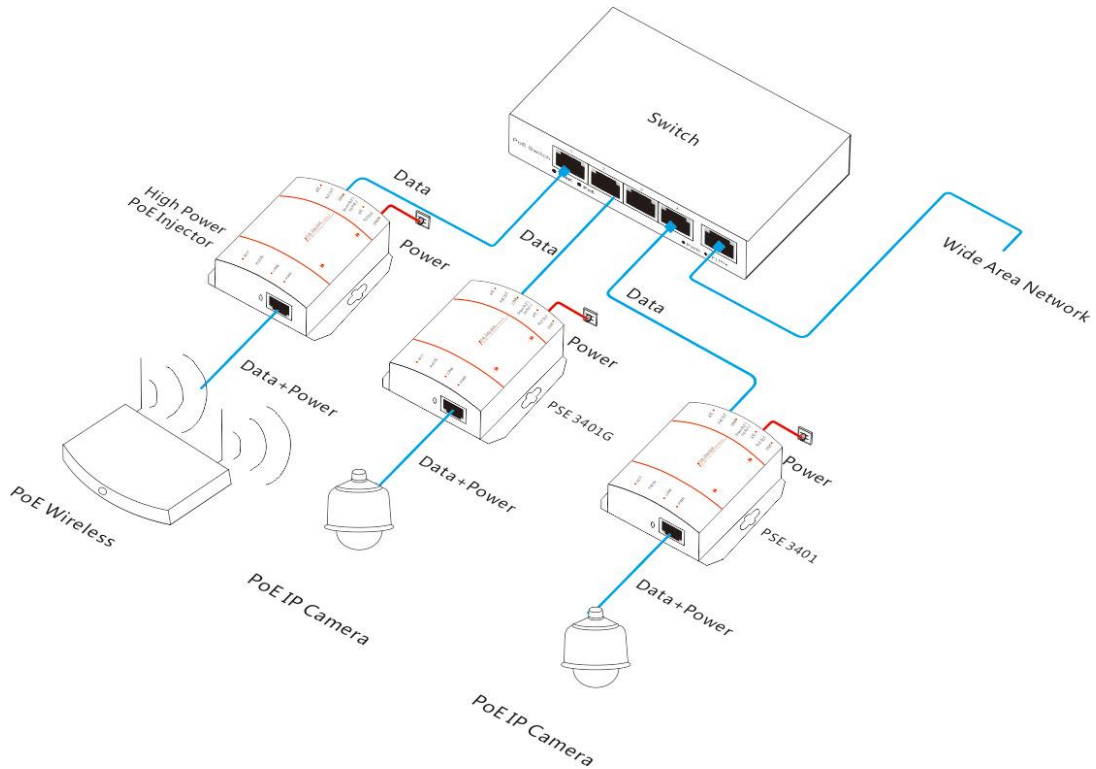
Model	ONV-PSE3401G
Interface Characteristics	
Fixed Port	1*10/100/1000M uplink RJ45 port (Data) 1*10/100/1000M bt PoE port (Data/ Power)
Ethernet Port	10/100/1000Base-T(X) auto-sensing, full/ half duplex MDI/ MDI-X self-adaption
Twisted Pair Transmission	10BASE-T: Cat3,4,5 UTP (≤100 meters) 100BASE-TX: Cat5 or later UTP (≤100 meters)

	1000BASE-T: Cat5e or later UTP (≤100 meters)
Network Protocol& Indicator	
Network Protocol	IEEE802.3 10BASE-T, IEEE802.3i 10Base-T, IEEE802.3u 100Base-TX, IEEE802.3u 1000Base-T, IEEE802.3x
LED Indicator	Power: PWR (Green), PoE: PoE (Green)
PoE& Power Supply	
PoE Port	Support BT PoE and backward compatible with IEEE802.3af/at
Power Supply Pin	1/2(+)/3/6(-)& 4/5 (+)/7/8 (-)
Max Power Per Port	60W, IEEE 802.3 af/at/bt
Total PWR/ Input Voltage	65W/52VDC
Power Consumption	Standby<3W, full load<60W
Power Supply	External 65W/52V power adapter
Physical Parameter	
Operation TEMP/ Humidity	-20°C~+55°C, 5%~90% RH non-condensing
Storage TEMP/ Humidity	-40°C~+80°C, 5%~95% RH non-condensing
Dimension (L*W*H)	77.5*76.5*27mm
Net /Gross Weight	0.15kg /0.4kg
Installation	Desktop, wall-mounted
Certification& Warranty	
Lightning Protection	4KV 8/20us, Protection level: IP30
Certification	CE mark, commercial, CE/LVD EN62368-1, FCC Part 15, RoHS
Warranty	3 years, lifelong maintenance

DIMENSION



APPLICATION



ORDERING INFORMATION

Model	Description	Power Adapter
ONV-PSE3401G	Single-port gigabit BT PoE injector can support BT PoE and backward compatible with IEEE 802.3 af/at PoE standard. Single-port PoE power is 60W, the max PoE output power of the device is 65W. The uplink RJ45 port supports PoE output, and the downlink RJ45 port supports network connection.	65W

PACKING LIST

	Content	Qty	Unit
Packing List	Single-port Gigabit BT PoE injector	1	PC
	User guide	1	PC
	Warranty card and certificate of conformity	1	PC

RELATED PRODUCT

Model	Description
ONV-PSE3501G	Single-port gigabit BT PoE injector can support BT PoE and backward compatible with IEEE 802.3 af/at PoE standard. Single-port PoE power is 90W, the max PoE output power of the device is 95W. The uplink RJ45 port supports PoE output, and the downlink RJ45 port supports network connection.

CONTACT US



Optical Network Video Technologies (Shenzhen) Co., Ltd.

Tel: 0086-755-33376606

Fax: 0086-755-33376608



Email: onv@onv.com.cn

Skype: [onv@onv.com.cn](https://www.skype.com/people/onv@onv.com.cn)

WeChat ID: ONV-PoE-IoT

Website: www.onvcom.com

Headquarter Address: Room 1003, Block D, Terra Building, Futian District, Shenzhen

Factory Address: Building B3, Galaxy Artificial Intelligence Industrial Park, No. 333, Zhongkai 6th Road, Chenjiang Street, Zhongkai High-tech Zone, Huizhou

